

CHEMFLO 1 2 3 4

END SUCTION CENTRIFUGAL PUMP FEATURES

- CHEMFLO 1,2,3 & 4 - INVESTMENT-CAST, 316 STAINLESS
CHEMFLO 5,6,7 & 8 - 316 CF8M STAINLESS STEEL HOUSING, SEAL
HOUSING & IMPELLER
- PRESSURES - 105-225 FEET HEAD
- FLOWS - 100-450 GPM
- CHEMFLO 1,2,3,4 PUMPAKS FOR 56C AND 145TC ELECTRIC MOTORS
CHEMFLO 5, 6, 7, AND 8 PUMPAKS FOR ELECTRIC MOTOR FRAME
SIZE 145TC THROUGH 215TC
- HORSEPOWER - 1-25 HP
- EXOTIC ELASTOMERS AVAILABLE
- HYDRAULIC MOTOR DRIVE AVAILABLE



CHEMFLO 1 & 2



CHEMFLO 3 & 4

MODEL	Suction	Discharge
CHEMFLO 1 & 2	1 1/2" NPT	1" NPT
CHEMFLO 3 & 4	2" NPT	1 1/2" NPT
CHEMFLO 5	2" ANSI 125 Flange	1 1/2" ANSI 125 Flange
CHEMFLO 6	3" ANSI 125 Flange	2" ANSI 125 Flange
CHEMFLO 7	2" ANSI 125 Flange	1" ANSI 125 Flange
CHEMFLO 8	3" ANSI 125 Flange	1 1/2" ANSI 125 Flange

5 6 7 8



CHEMFLO 5



CHEMFLO 7

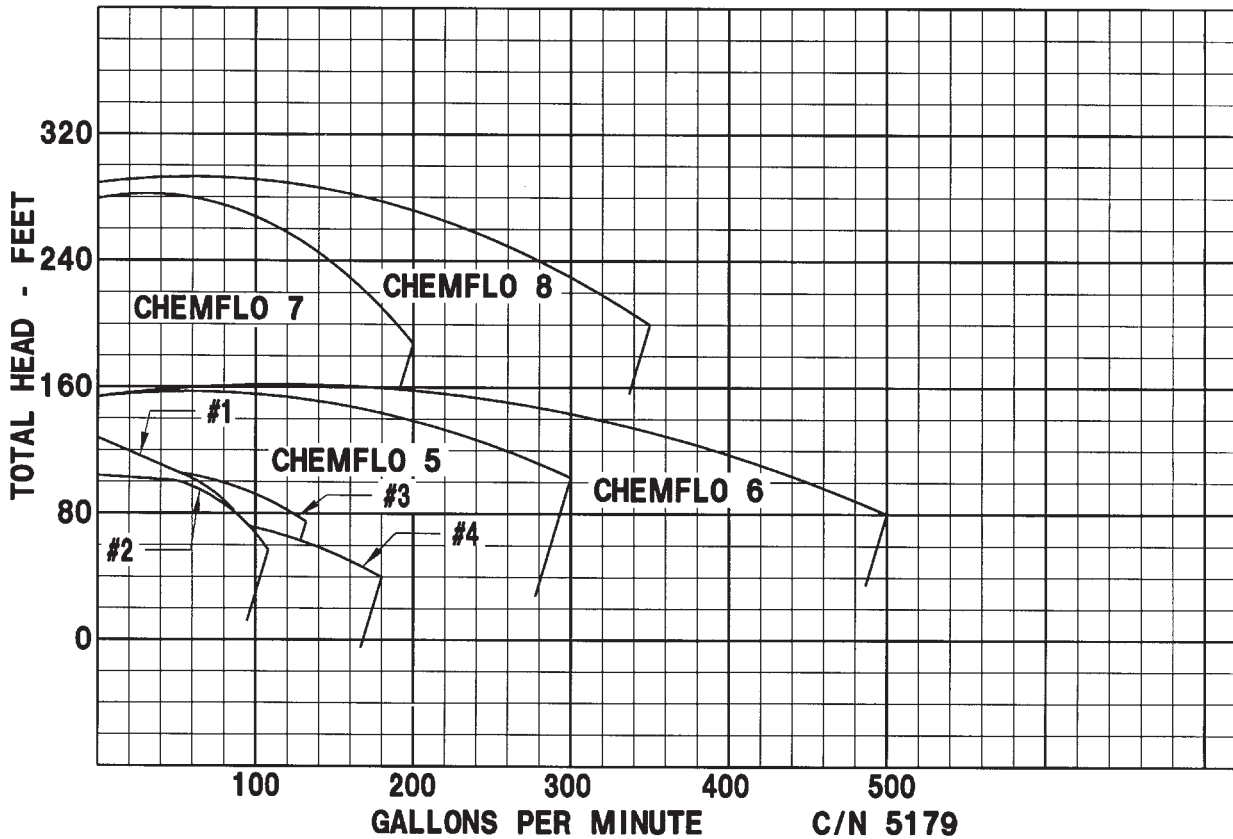


CHEMFLO 6

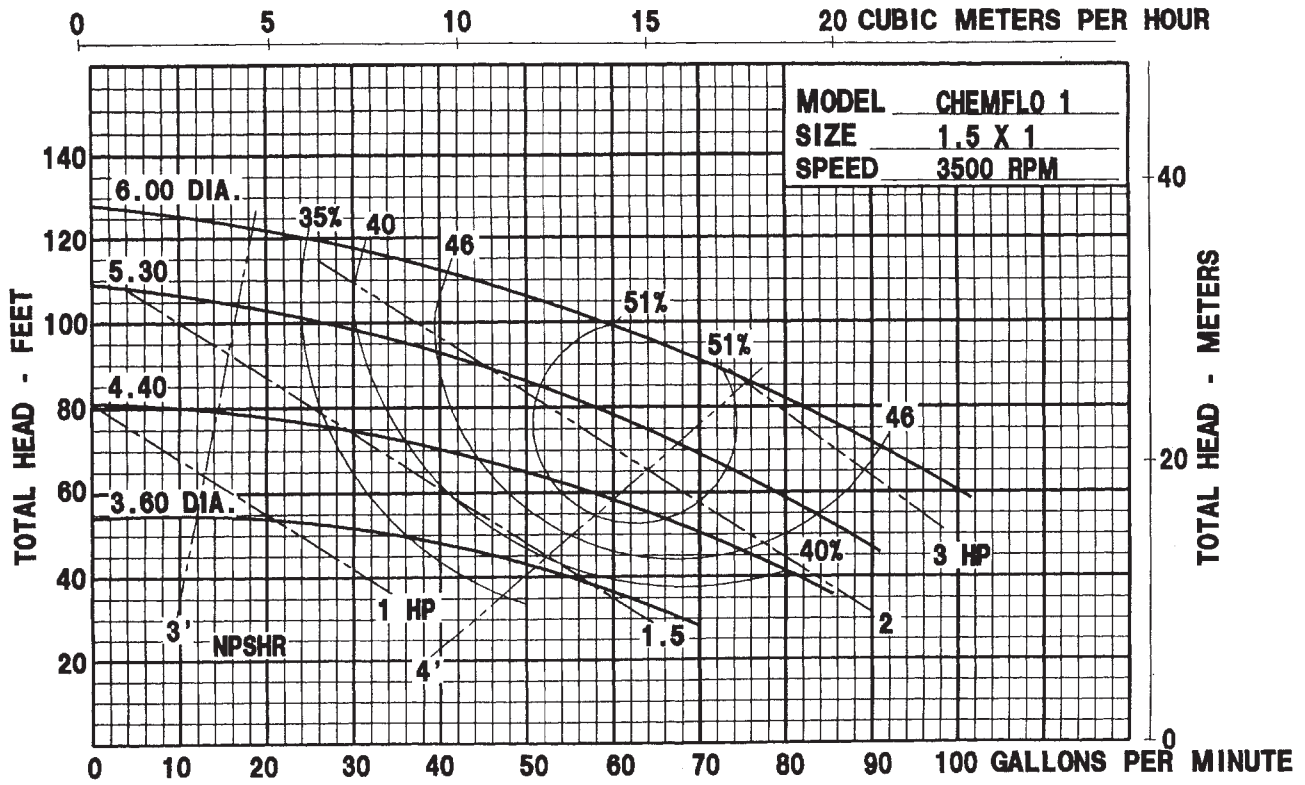


CHEMFLO 8

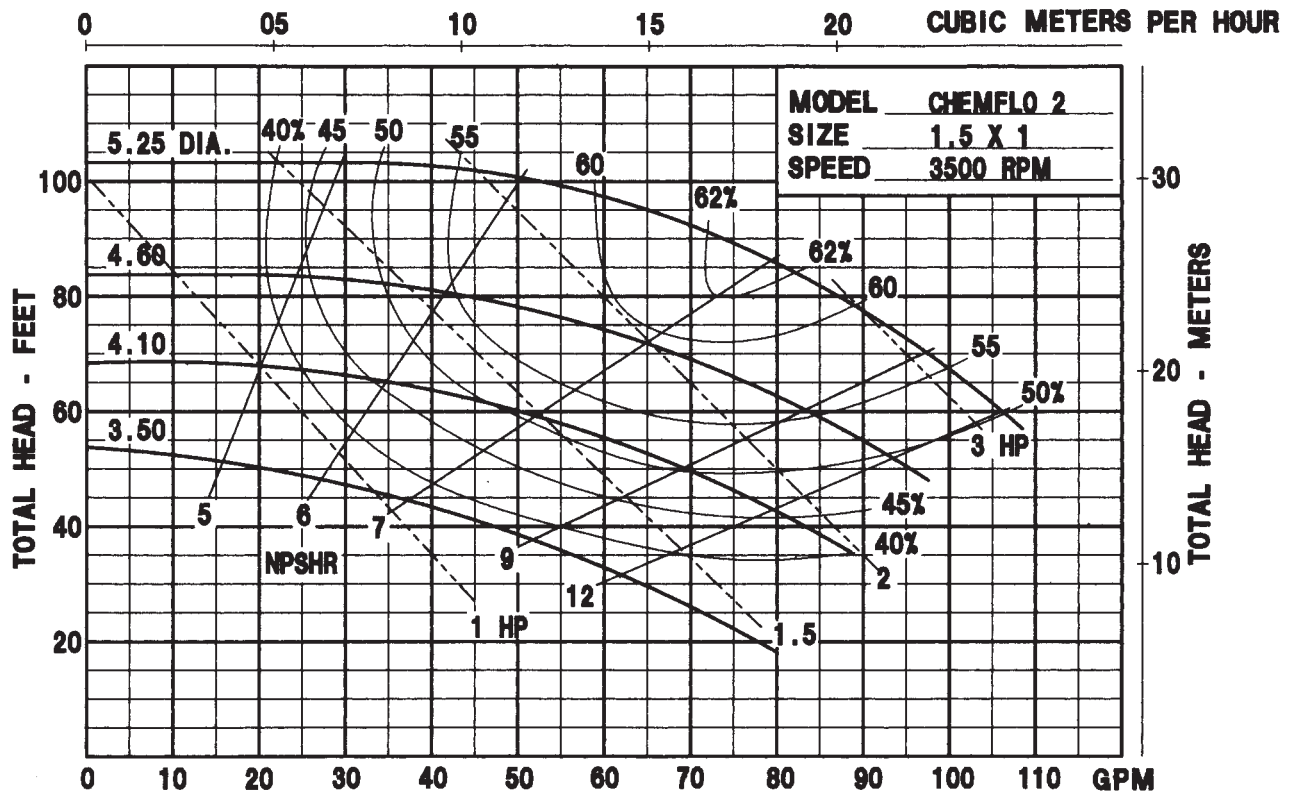
CHEMFLO Selection



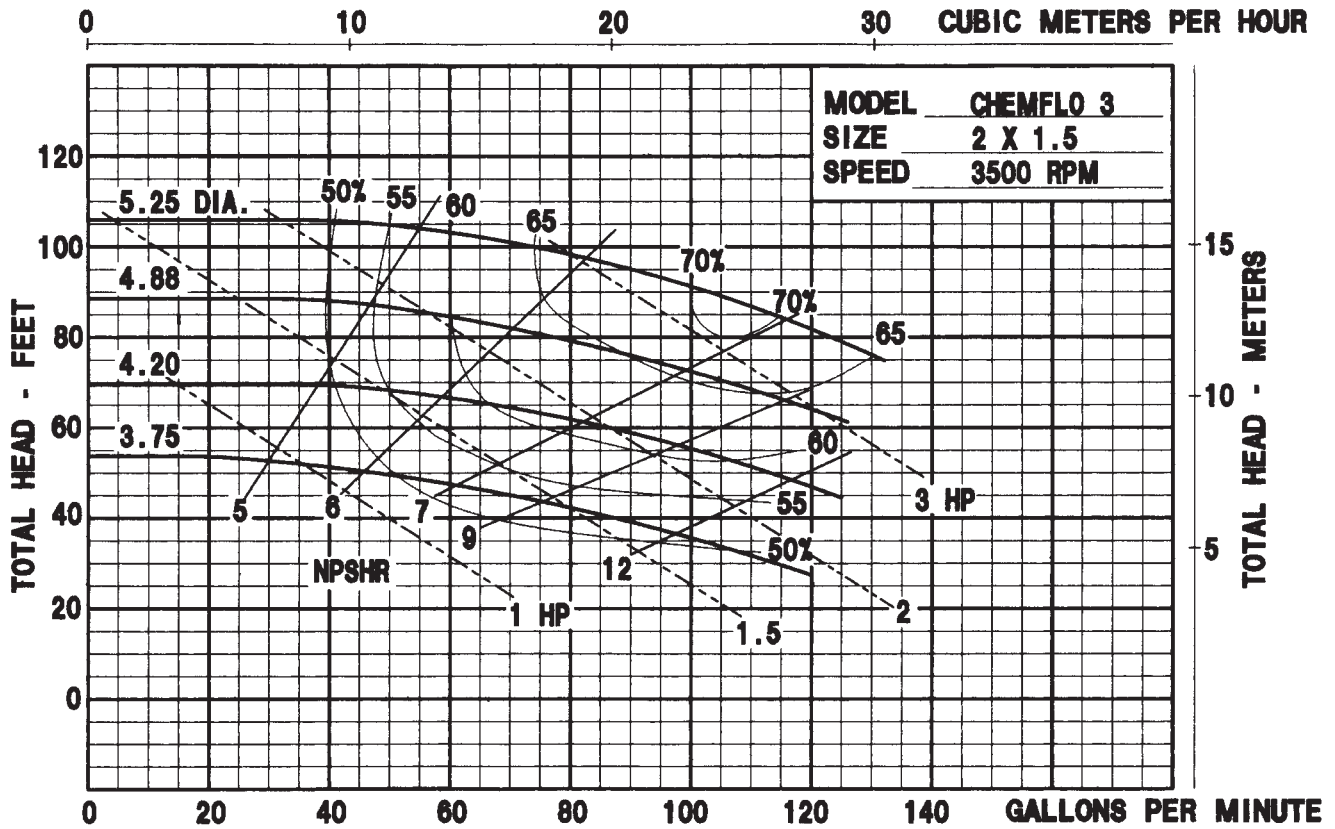
CHEMFLO 1 Pump Performance Curves



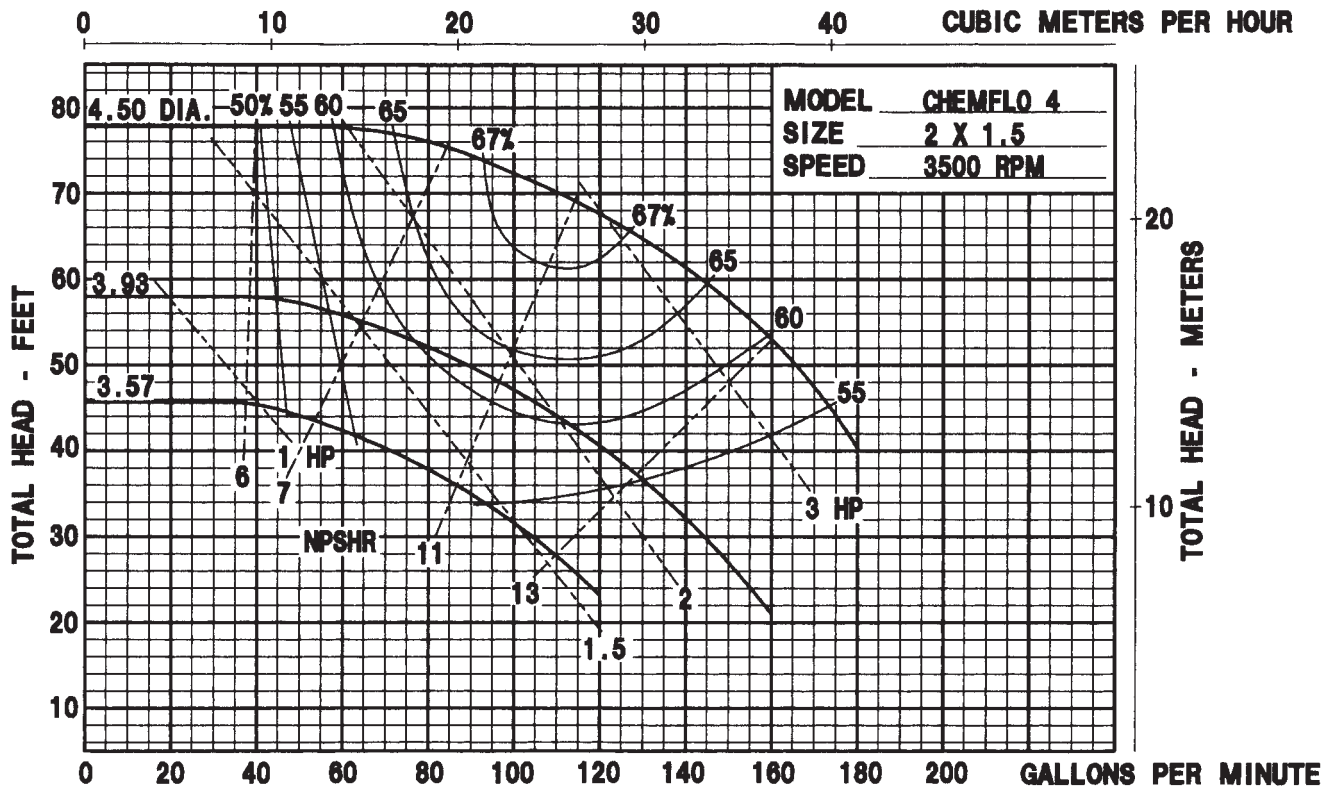
CHEMFLO 2 Pump Performance Curves



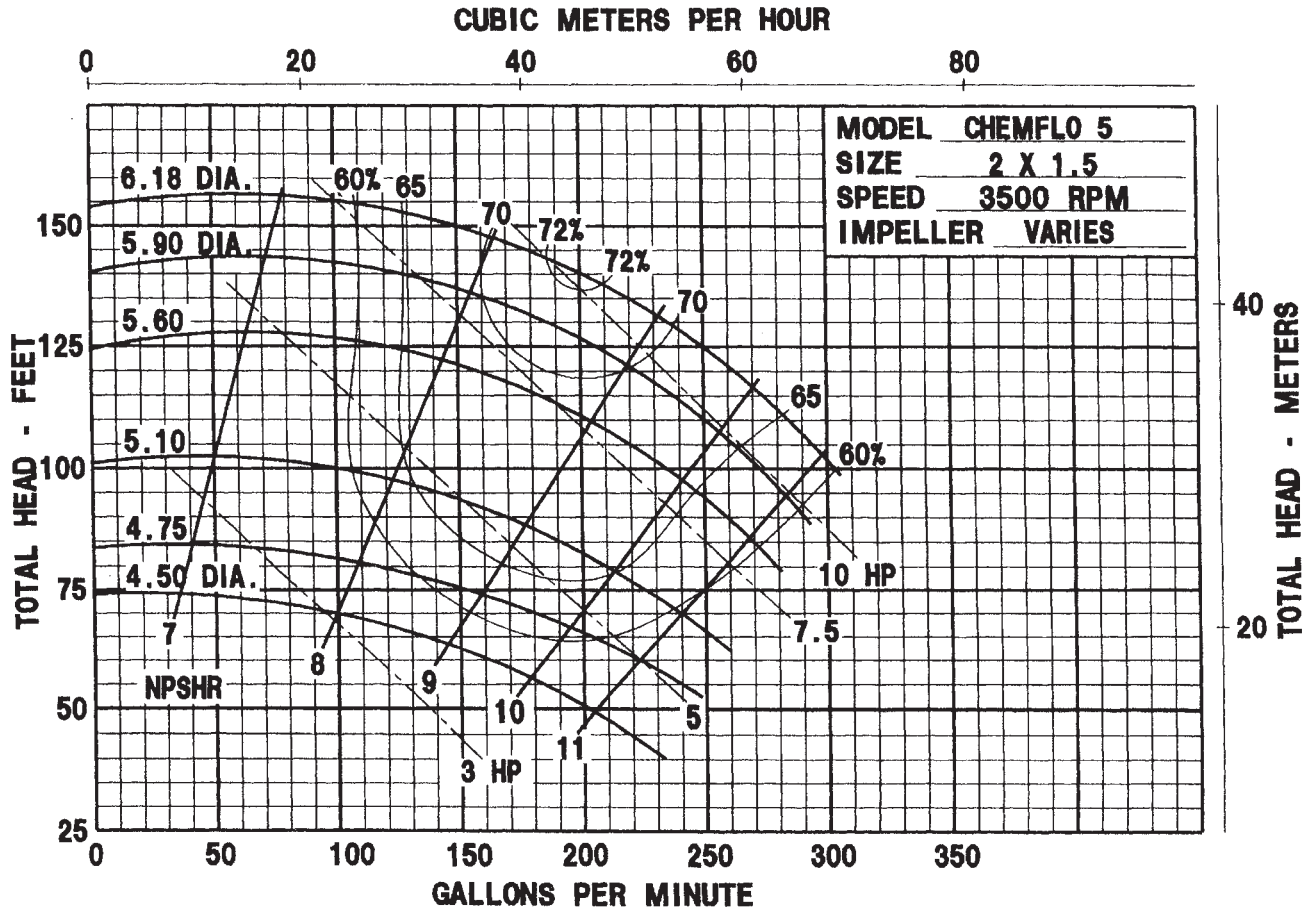
CHEMFLO 3 Pump Performance Curves



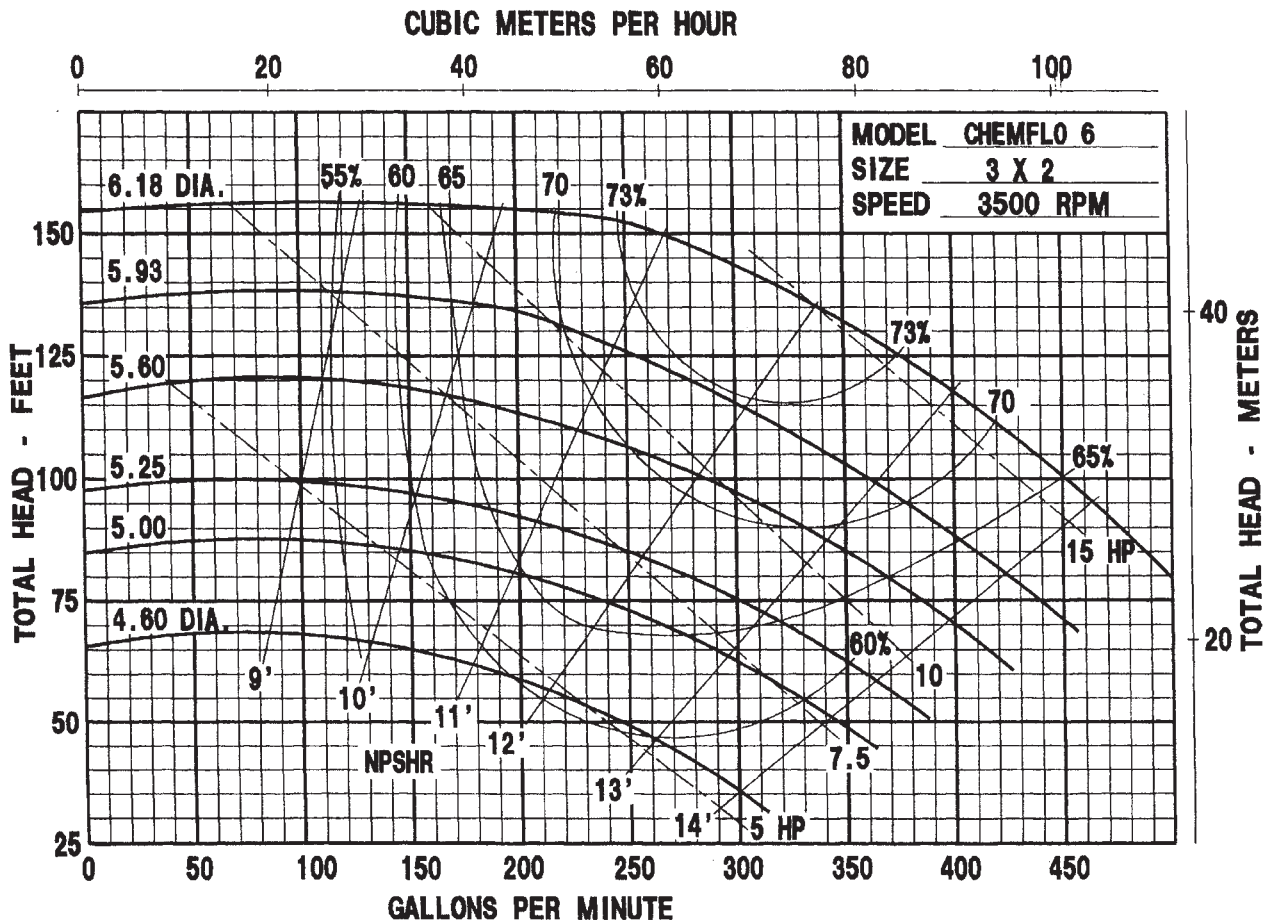
CHEMFLO 4 Pump Performance Curves



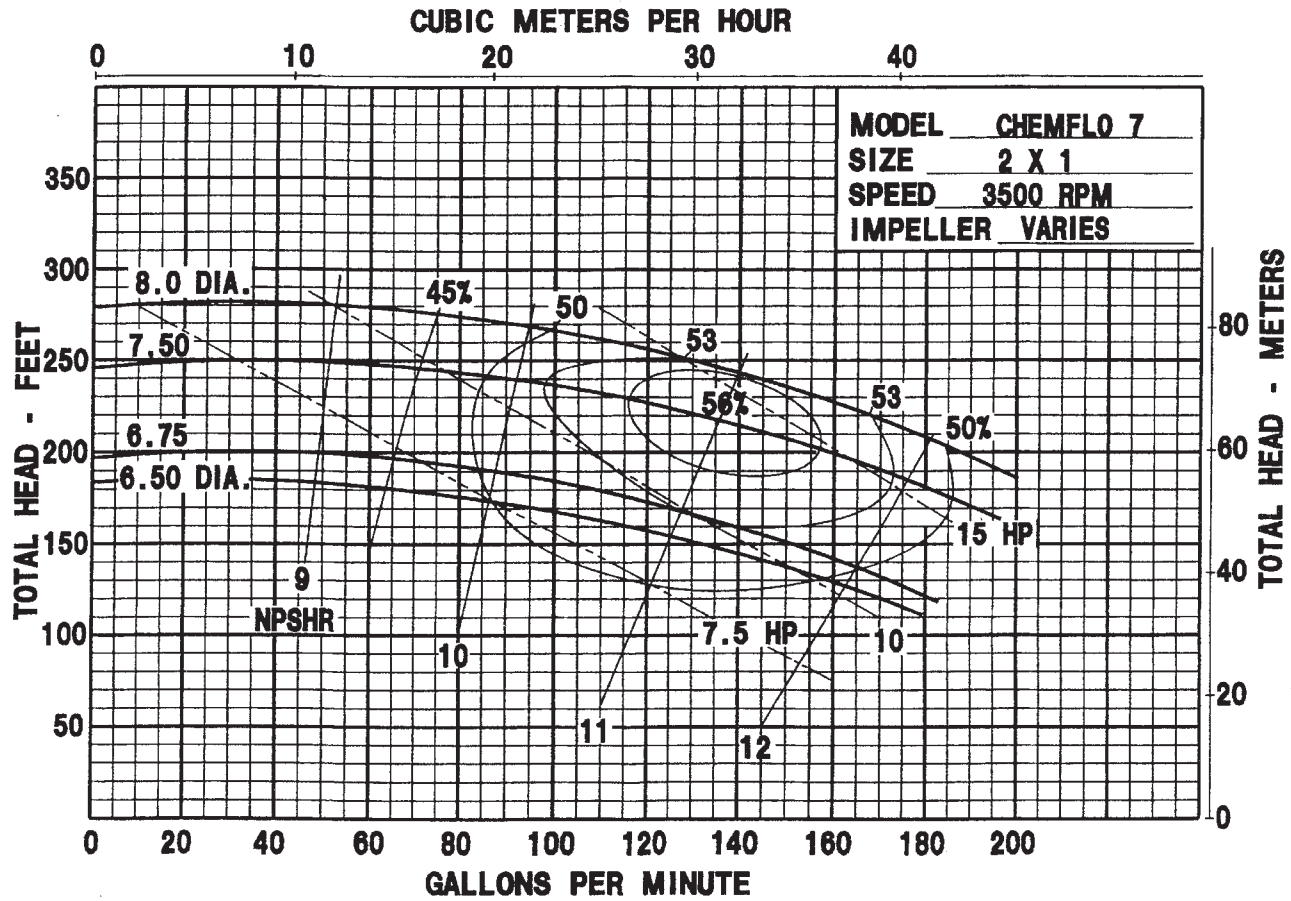
CHEMFLO 5 Pump Performance Curves



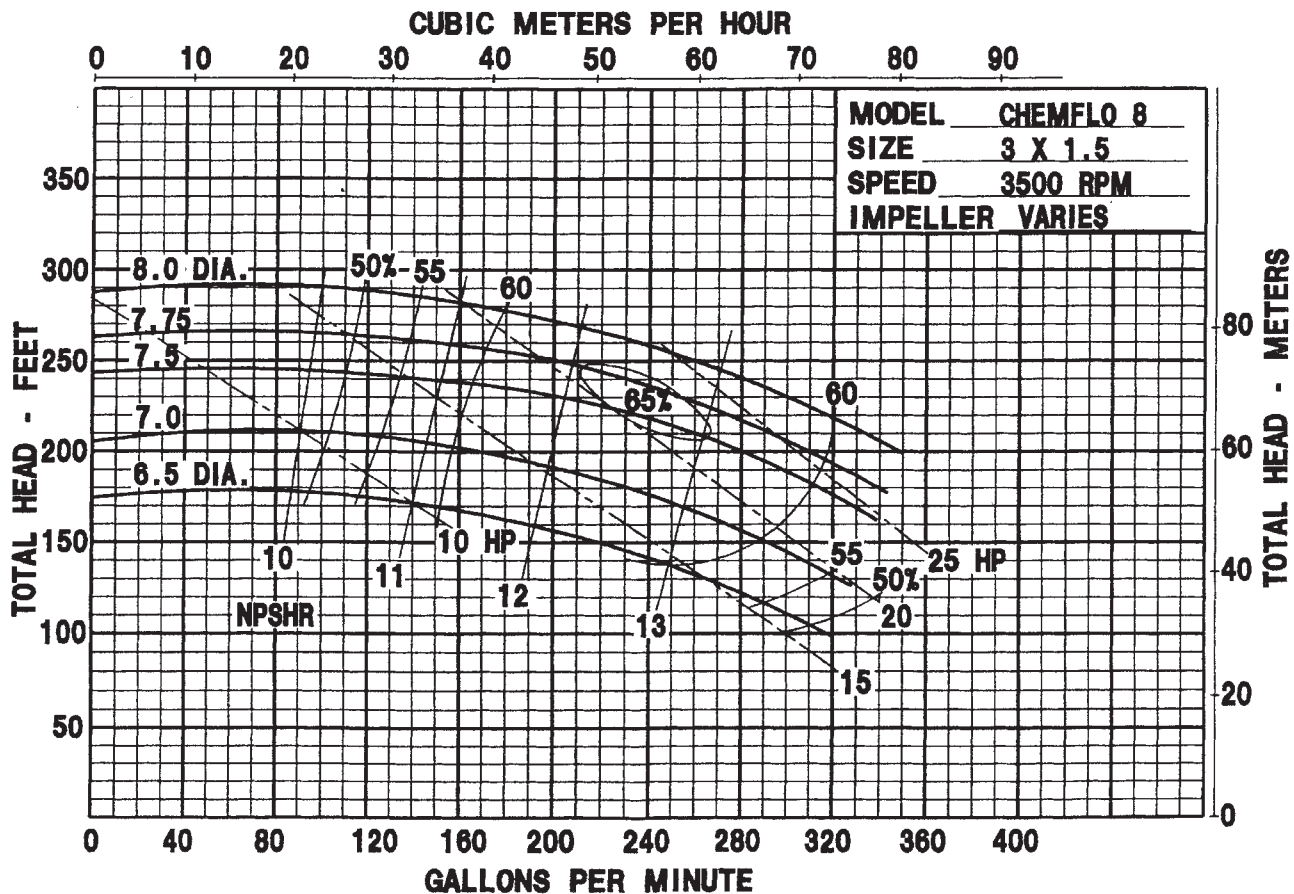
CHEMFLO 6 Pump Performance Curves



CHEMFLO 7 Pump Performance Curves

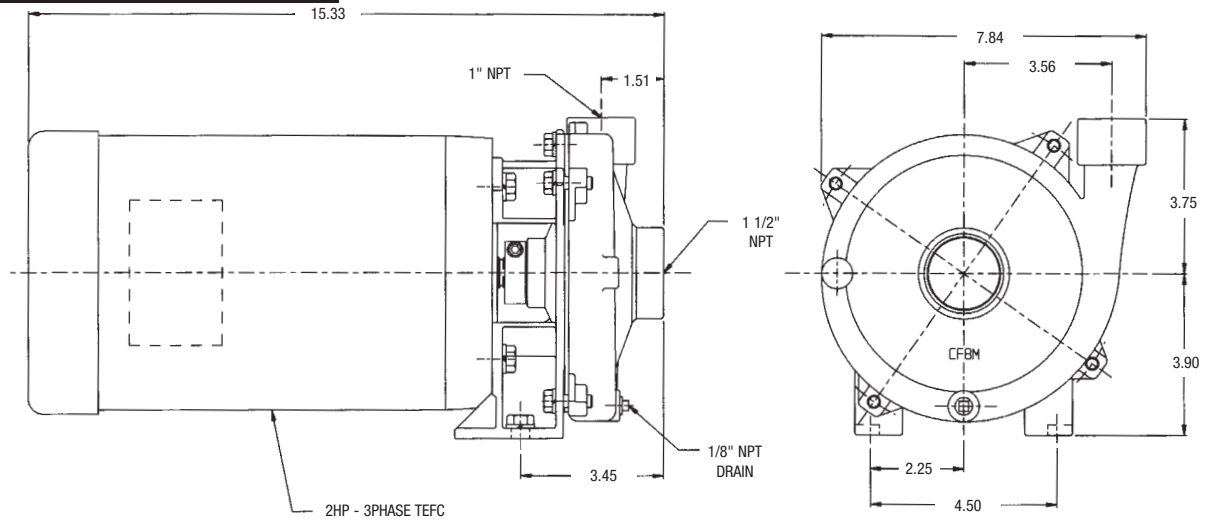


CHEMFLO 8 Pump Performance Curves

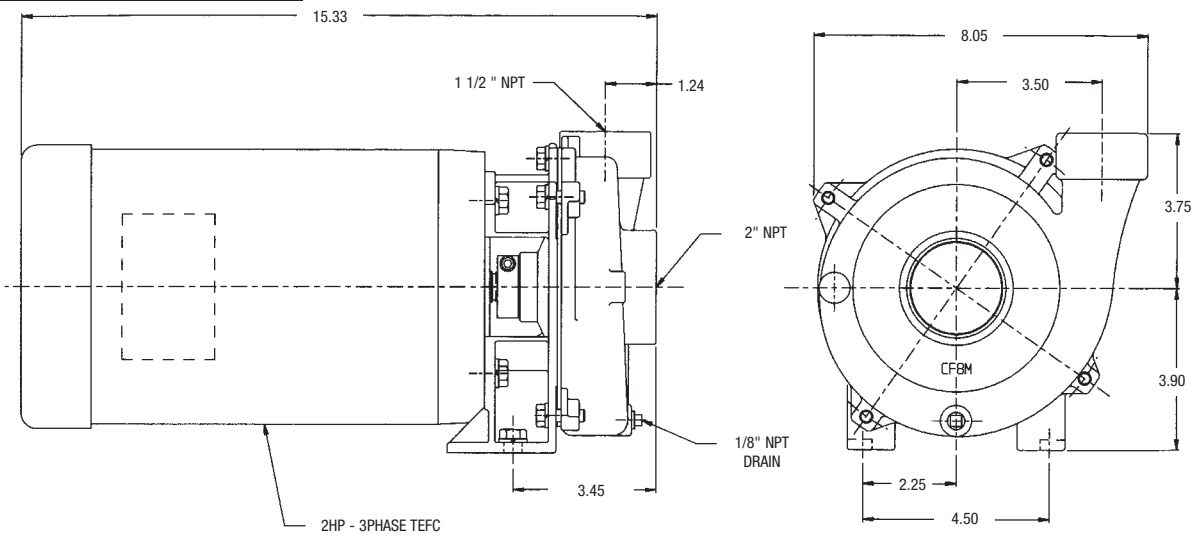


Other Performance Curves Available Upon Request

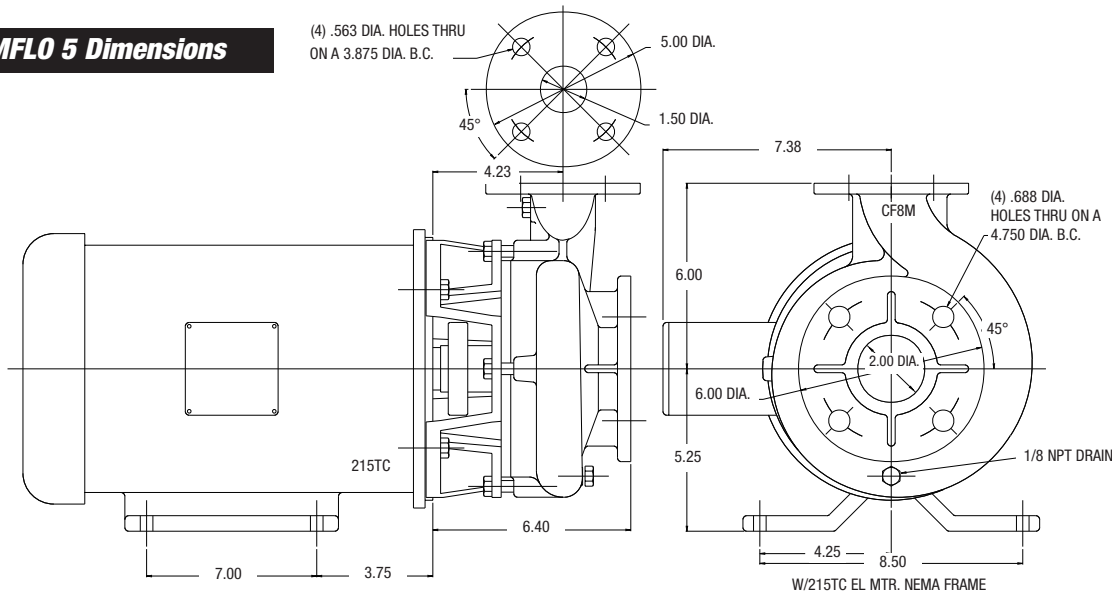
CHEMFLO 1&2 Dimensions



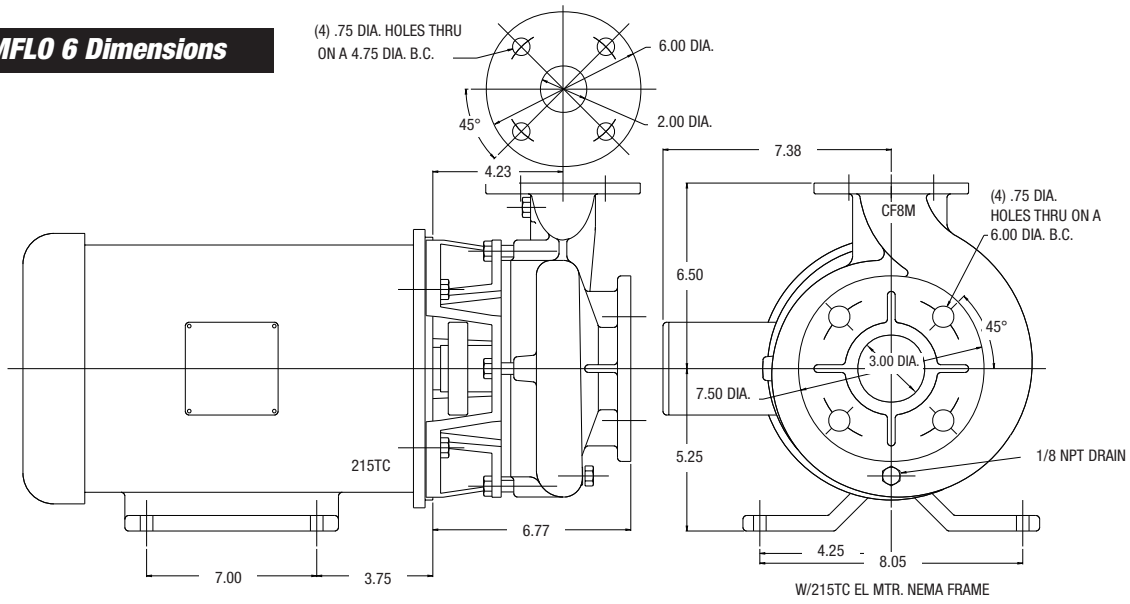
CHEMFLO 3&4 Dimensions



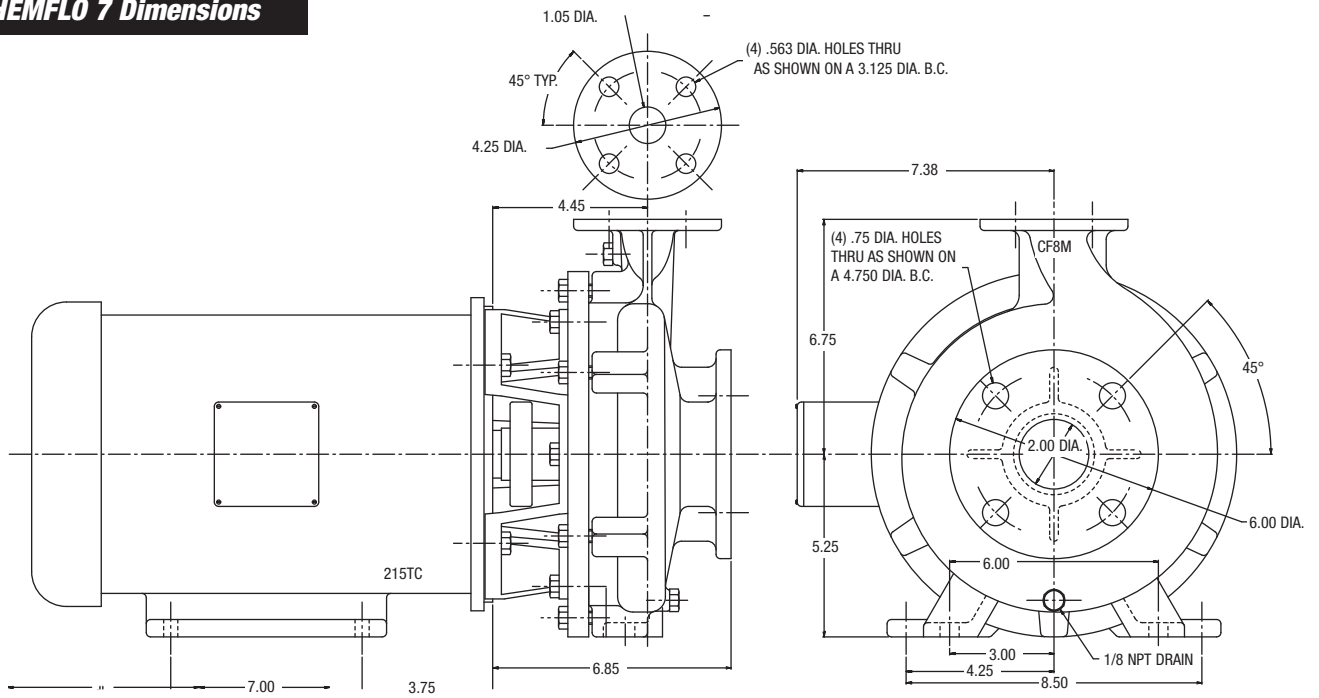
CHEMFLO 5 Dimensions



CHEMFLO 6 Dimensions



CHEMFLO 7 Dimensions



CHEMFLO 8 Dimensions

