

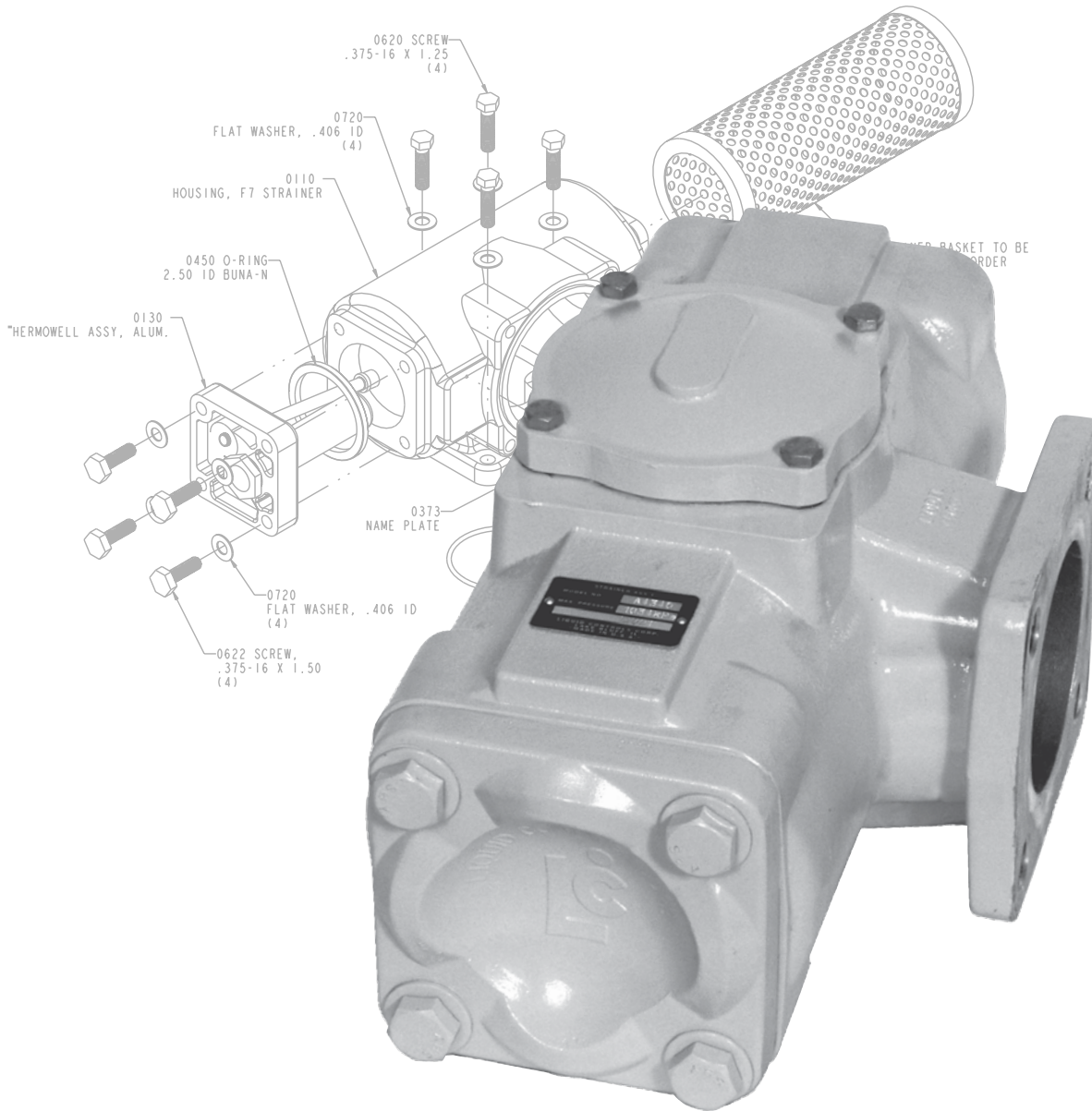


# Standard Bills of Materials

Commonly Ordered Models Only

# Strainers

Always check [www.lcmeter.com](http://www.lcmeter.com) for the most current BOM.



This document is for reference only.  
Always use Bill of Material shipped with meter when ordering replacement parts.

# TABLE OF CONTENTS

---

---

---

620-1 F-7 Cast Iron Strainer .....	3
620-2 F-7 Stainless Steel Strainer .....	4
620-3 F-7 Aluminum Strainer .....	5
620-4 F-7 Brass Strainer .....	7
620-5 F-15 Aluminum Strainer .....	8
620-6 F-30 Aluminum Strainer .....	10
620-7 FS-2 Steel Case Strainer .....	12
620-8 FS-3 Steel Case Strainer .....	14
620-9 FS-4 Steel Case Strainer .....	16
620-10 FS-3 Steel Case Strainer (Bottom Inlet) .....	19
620-11 FS-4 Steel Case Strainer (Bottom Inlet).....	21
620-12 FS-6 Steel Case Strainer .....	23
620-13 FA-7 Aluminum Strainer .....	26

---

---

## Publication Updates and Translations

The most current English versions of all Liquid Controls publications are available on our web site, [www.lcmeter.com](http://www.lcmeter.com). It is the responsibility of the local distributor to provide the most current version of LC manuals, instructions, and specification sheets in the required language of the country, or the language of the end user to which the products are shipping. If there are questions about the language of any LC manuals, instructions, or specification sheets, please contact your local distributor.

## F-7 CASE IRON STRAINER

### F-7 Cast Iron / Viton, Without Air Eliminator Mounting - A2375

APPLICABLE FOR STRAINERS MANUFACTURED AFTER SEPTEMBER, 1976

Item #	Part #	Qty	Description
0110	45796	1	Housing, Strainer, New CL-7 No Air Eliminator
0130	44161	1	Cover, Strainer,
0428	40430	1	Gasket, Flange, Nitrile 1-1/2", 2" Flange
0450	07025	1	O-Ring, 2.88 ID Viton, 3.12 OD x .12 Dia Wall
0620	04444	8	Screw, .375-16 x 1.25, Hex HD Cap, GR 8
0720	04498	8	Flat Washer, .406 ID, .812 OD x .062 Thk

### F-7 Cast Iron / Viton, With Air Eliminator Mounting - A2376

APPLICABLE FOR STRAINERS MANUFACTURED AFTER SEPTEMBER, 1976

Item #	Part #	Qty	Description
0110	45797	1	Housing, Strainer F-7, New CL-7 For Air Eliminator
0130	44161	1	Cover, Strainer,
0428	40430	1	Gasket, Flange, Nitrile 1-1/2", 2" Flange
0450	07025	1	O-Ring, 2.88 ID Viton, 3.12 OD x .12 Dia Wall
0620	04444	8	Screw, .375-16 x 1.25, Hex HD Cap, GR 8
0720	04498	8	Flat Washer, .406 ID, .812 OD x .062 Thk

### F-7 Cast iron / PTFE, Without Air Eliminator Mounting - A2377

APPLICABLE FOR STRAINERS MANUFACTURED AFTER SEPTEMBER, 1976

Item #	Part #	Qty	Description
0110	45796	1	Housing, Strainer, New CL-7 No Air Eliminator
0130	44161	1	Cover, Strainer,
0428	45818	1	Gasket, Flange, Armalon 1-1/2", 2" Flange
0450	06664	1	O-Ring, 2.88 ID PTFE, 3.12 OD x .12 Dia Wall
0620	04444	8	Screw, .375-16 x 1.25, Hex HD Cap, GR 8
0720	04498	8	Flat Washer, .406 ID, .812 OD x .062 Thk

### F-7 Cast Iron / PTFE, With Air Eliminator Mounting - A2378

APPLICABLE FOR STRAINERS MANUFACTURED AFTER SEPTEMBER, 1976

Item #	Part #	Qty	Description
0110	45797	1	Housing, Strainer F-7, New CL-7 For Air Eliminator
0130	44161	1	Cover, Strainer,
0428	45818	1	Gasket, Flange, Armalon 1-1/2", 2" Flange
0450	06664	1	O-Ring, 2.88 ID PTFE, 3.12 OD x .12 Dia Wall
0620	04444	8	Screw, .375-16 x 1.25, Hex HD Cap, GR 8
0720	04498	8	Flat Washer, .406 ID, .812 OD x .062 Thk

### Accessories - Strainer Baskets, Stainless Steel

Item #	Part #	Qty	Description
0005	A2460	1	Basket, Strainer F-7, 40 Mesh SS - CL7, 8, 20, 27 & 37
0005	A2461	1	Basket, Strainer F-7, 80 Mesh SS - CL7, 8, 20, 27 & 37
0005	A2462	1	Basket, Strainer F-7, 100 Mesh SS - CL7, 8, 20, 27 & 37
0005	A2463	1	Basket, Strainer F-7, 20 Mesh SS - CL7, 8, 20, 27 & 37

## F-7 STAINLESS STEEL STRAINER

### F-7 Stainless Steel / PTFE, Without Air Eliminator Mounting - A2382

APPLICABLE FOR STRAINERS MANUFACTURED AFTER MAY, 1975

Item #	Part #	Qty	Description
0110	45802	1	Housing, Strainer, F-7
0130	45805	1	Cover, Strainer, SS
0428	45818	1	Gasket, Flange, Armalon 1-1/2", 2" Flange
0450	06664	1	O-Ring, 2.88 ID PTFE, 3.12 OD x .12 Dia Wall
0620	07227	4	Screw, .375-16 x .875, Hex HD, 316 SST
0632	06169	4	Screw, .375-16 x 1.25 Hex HD Cap, 316 SS
0720	06166	8	Flat Washer, .390 ID, .62 OD/.06 Thk/316 SS

### F-7 Stainless Steel / PTFE, With Air Eliminator Mounting - A2384

APPLICABLE FOR STRAINERS MANUFACTURED AFTER MAY, 1975

Item #	Part #	Qty	Description
0110	45803	1	Housing, Strainer SS
0130	45805	1	Cover, Strainer, SS
0428	45818	1	Gasket, Flange, Armalon 1-1/2", 2" Flange
0450	06664	1	O-Ring, 2.88 ID PTFE, 3.12 OD x .12 Dia Wall
0620	07227	4	Screw, .375-16 x .875, Hex HD, 316 SST
0632	06169	4	Screw, .375-16 x 1.25 Hex HD Cap, 316 SS
0720	06166	8	Flat Washer, .390 ID, .62 OD/.06 Thk/316 SS

### F-7 Stainless Steel / Viton, Without Air Eliminator Mounting - A2386

APPLICABLE FOR STRAINERS MANUFACTURED AFTER JULY, 1976

Item #	Part #	Qty	Description
0110	45802	1	Housing, Strainer, F-7
0130	45805	1	Cover, Strainer, SS
0428	40430	1	Gasket, Flange, Nitrile 1-1/2", 2" Flange
0450	07025	1	O-Ring, 2.88 ID Viton, 3.12 OD x .12 Dia Wall
0620	07227	4	Screw, .375-16 x .875, Hex HD, 316 SST
0632	06169	4	Screw, .375-16 x 1.25 Hex HD Cap, 316 SS
0720	06166	8	Flat Washer, .390 ID, .62 OD/.06 Thk/316 SS

### F-7 Stainless Steel / Viton, With Air Eliminator Mounting - A2388

APPLICABLE FOR STRAINERS MANUFACTURED AFTER JULY, 1976

Item #	Part #	Qty	Description
0110	45803	1	Housing, Strainer SS
0130	45805	1	Cover, Strainer, SS
0428	40430	1	Gasket, Flange, Nitrile 1-1/2", 2" Flange
0450	07025	1	O-Ring, 2.88 ID Viton, 3.12 OD x .12 Dia Wall
0620	07227	4	Screw, .375-16 x .875, Hex HD, 316 SST
0632	06169	4	Screw, .375-16 x 1.25 Hex HD Cap, 316 SS
0720	06166	8	Flat Washer, .390 ID, .62 OD/.06 Thk/316 SS

### Accessories - Strainer Baskets, Stainless Steel

Item #	Part #	Qty	Description
0005	A2460	1	Basket, Strainer F-7, 40 Mesh SS - CL7, 8, 20, 27 & 37
0005	A2461	1	Basket, Strainer F-7, 80 Mesh SS - CL7, 8, 20, 27 & 37
0005	A2462	1	Basket, Strainer F-7, 100 Mesh SS - CL7, 8, 20, 27 & 37
0005	A2463	1	Basket, Strainer F-7, 20 Mesh SS - CL7, 8, 20, 27 & 37

## F-7 ALUMINUM STRAINER

### F-7 Aluminum / Buna - A2340 & A2340A

APPLICABLE FOR STRAINERS MANUFACTURED AFTER APRIL, 2001

Item #	Part #	Qty	Description
0110	48297	1	Housing, F-7 Strainer, Aluminum
0110	49425	1	Housing, F-7 Strainer, Anodized Aluminum
0130	42152	1	Cover, Strainer, Anodized Aluminum, F-7
0200	48404	1	Strainer Manual
0373	48419	1	Nameplate, Strainer Assembly
0428	06854	1	O-Ring, 2.88 ID Buna-N UL, 3.12 OD x .12 Dia Wall
0450	09338	1	O-Ring, 2.50 ID Buna-N, 3.00 OD x .25 Sqr Wall
0458	09335	1	O-Ring, 4.75 ID Buna-N, 5.00 OD x .12 Sqr Wall
0620	04444	8	Screw, .375-16 x 1.25, Hex HD Cap, GR 8
0677	00306	2	Screw, Drv #2 x .19 Type "U"
0720	04498	8	Flat Washer, .406 ID, .812 OD x .062 Thk

### F-7 Aluminum / Viton - A2341 & A2341A

APPLICABLE FOR STRAINERS MANUFACTURED AFTER NOVEMBER, 2001

Item #	Part #	Qty	Description
0110	48297	1	Housing, F-7 Strainer, Aluminum
0110	49425	1	Housing, F-7 Strainer, Anodized Aluminum
0130	42152	1	Cover, Strainer, Anodized Aluminum, F-7
0200	48404	1	Strainer Manual
0373	48419	1	Nameplate, Strainer Assembly
0428	07025	1	O-Ring, 2.88 ID Viton, 3.12 OD x .12 Dia Wall
0450	09344	1	O-Ring, 2.50 ID Viton, 3.00 OD x .25 Sqr Wall
0458	06900	1	O-Ring, 4.75 ID Viton, 5.00 OD x .12 Dia Wall
0620	04444	8	Screw, .375-16 x 1.25, Hex HD Cap, GR 8
0677	00306	2	Screw, Drv #2 x .19 Type "U"
0720	04498	8	Flat Washer, .406 ID, .812 OD x .062 Thk

### F-7 Aluminum / PTFE - A2342 & A2342A

APPLICABLE FOR STRAINERS MANUFACTURED AFTER APRIL, 1996

Item #	Part #	Qty	Description
0110	48297	1	Housing, F-7 Strainer, Aluminum
0110	49425	1	Housing, F-7 Strainer, Anodized Aluminum
0130	42157	1	Cover, Strainer, Anodized Aluminum, F-7
0200	48404	1	Strainer Manual
0373	48419	1	Nameplate, Strainer Assembly
0428	06664	1	O-Ring, 2.88 ID PTFE, 3.12 OD x .12 Dia Wall
0450	06664	1	O-Ring, 2.88 ID PTFE, 3.12 OD x .12 Dia Wall
0458	06665	1	O-Ring, 4.75 ID PTFE, 5.00 OD x .12 Dia Wall
0620	04444	8	Screw, .375-16 x 1.25, Hex HD Cap, GR 8
0677	00306	2	Screw, Drv #2 x .19 Type "U"
0720	04498	8	Flat Washer, .406 ID, .812 OD x .062 Thk

# F-7 ALUMINUM STRAINER

## F-7 Aluminum / Buna / LPG - A2343A

APPLICABLE FOR STRAINERS MANUFACTURED AFTER APRIL, 2001

Item #	Part #	Qty	Description
0110	49425	1	Housing, F-7 Strainer, Anodized Aluminum
0130	45420	1	Thermowell Assembly, Aluminum, MA5/MA7, Strainer End Mtg.
0200	48404	1	Strainer Manual
0373	48419	1	Nameplate, Strainer Assembly
0428	06854	1	O-Ring, 2.88 ID Buna-N UL, 3.12 OD x .12 Dia Wall
0450	09338	1	O-Ring, 2.50 ID Buna-N, 3.00 OD x .25 Sqr Wall
0458	09335	1	O-Ring, 4.75 ID Buna-N, 5.00 OD x .12 Sqr Wall
0620	04444	4	Screw, .375-16 x 1.25, Hex HD Cap, GR 8
0622	06851	4	Screw, .375-16 x 1.50, Hex HD Cap, GR 8
0677	00306	2	Screw, Drv #2 x .19 Type "U"
0720	04498	8	Flat Washer, .406 ID, .812 OD x .062 Thk

## Accessories - Strainer Cover - A2550

Applicable for strainers manufactured after November, 1991

Item #	Part #	Qty	Description
0140	48299	1	Cover, F-7 Strainer 300#, Aluminum
0681	06851	4	Screw, .375-16 x 1.50, Hex HD Cap, GR 8
0779	04498	4	Flat Washer, .406 ID, .812 OD x .062 Thk

## Accessories - Strainer Baskets, Stainless Steel

Item #	Part #	Qty	Description
0005	A2430	1	Basket, Strainer F-7, 40 Mesh SS
0005	A2431	1	Basket, Strainer F-7, 80 Mesh SS
0005	A2432	1	Basket, Strainer F-7, 100 Mesh SS
0005	A2433	1	Basket, Strainer F-7, 20 Mesh SS
0005	A2439	1	Basket, Strainer FA7, 200 Mesh SS

## Accessories - Elbow Assembly - A2010

Applicable for strainers manufactured after May, 1980

Item #	Part #	Qty	Description
0110	42161	1	Pipe Elbow 45 Deg., EI 45D Inline Strainer
0414	40430	1	Gasket, Flange, Nitrile 1-1/2", 2" Flange
0624	04444	4	Screw, .375-16 x 1.25, Hex HD Cap, GR 8
0724	04498	4	Flat Washer, .406 ID, .812 OD x .062 Thk

Elbow Assembly - A2010 (Applicable for strainers manufactured after May, 1980)

## F-7 BRASS STRAINER

### F-7 Brass / Buna, 2" NPT Inlet - A2385

APPLICABLE FOR STRAINERS MANUFACTURED AFTER DECEMBER, 1978

Item #	Part #	Qty	Description
0110	45489	1	Housing, Strainer, F-7 BR
0130	45491	1	Cover, Strainer, BRS
0141	45492	1	Plate, Warning Specification Plate
0428	45109	1	Gasket, Flange, Class 3 1-1/2", 2" Flange UL
0450	06854	1	O-Ring, 2.88 ID Buna-N UL, 3.12 OD x .12 Dia Wall
0620	07227	4	Screw, .375-16 x .875, Hex HD, 316 SST
0632	06169	4	Screw, .375-16 x 1.25 Hex HD Cap, 316 SS
0720	06166	8	Flat Washer, .390 ID, .62 OD/.06 Thk/316 SS

### F-7 Brass / Buna, 2" BSPT Inlet - A2387

APPLICABLE FOR STRAINERS MANUFACTURED AFTER FEBRUARY, 1980

Item #	Part #	Qty	Description
0110	45495	1	Housing, Strainer 2" BSPT, F-7 2 IN BS
0130	45491	1	Cover, Strainer, BRS
0141	45492	1	Plate, Warning Specification Plate
0428	45109	1	Gasket, Flange, Class 3 1-1/2", 2" Flange UL
0450	06854	1	O-Ring, 2.88 ID Buna-N UL, 3.12 OD x .12 Dia Wall
0620	07227	4	Screw, .375-16 x .875, Hex HD, 316 SST
0632	06169	4	Screw, .375-16 x 1.25 Hex HD Cap, 316 SS
0720	06166	8	Flat Washer, .390 ID, .62 OD/.06 Thk/316 SS

### Accessories - Strainer Baskets, Stainless Steel

Item #	Part #	Qty	Description
0005	A2460	1	Basket, Strainer F-7, 40 Mesh SS - CL7, 8, 20, 27 & 37
0005	A2461	1	Basket, Strainer F-7, 80 Mesh SS - CL7, 8, 20, 27 & 37
0005	A2462	1	Basket, Strainer F-7, 100 Mesh SS - CL7, 8, 20, 27 & 37
0005	A2463	1	Basket, Strainer F-7, 20 Mesh SS - CL7, 8, 20, 27 & 37

# F-15 ALUMINUM STRAINER

## F-15 Aluminum / Buna - A3340 & A3340A

APPLICABLE FOR STRAINERS MANUFACTURED AFTER DECEMBER, 1978

Item #	Part #	Qty	Description
0110	48497	1	Housing, F-15 Strainer
0110	49426	1	Housing, F-15 Strainer, Anodized Aluminum
0130	42987	1	Strainer Cover, F15
0200	48404	1	Strainer Manual
0373	48419	1	Nameplate, Strainer Assembly
0428	04474	1	O-Ring, 3.62 ID Buna-N UL, 3.88 OD x .12 Dia Wall
0450	06798	1	O-Ring, 3.50 ID Buna-N, 3.88 OD x .19 Sqr Wall
0458	09335	1	O-Ring, 4.75 ID Buna-N, 5.00 OD x .12 Sqr Wall
0620	06057	8	Screw, .500-13 x 1.50, Hex HD
0677	00306	2	Screw, Drv #2 x .19 Type "U"
0720	04685	8	Flat Washer, .631 ID, 1.06 OD x .95 Thk

## F-15 Aluminum / Viton - A3341 & A3341A

APPLICABLE FOR STRAINERS MANUFACTURED AFTER DECEMBER, 1978

Item #	Part #	Qty	Description
0110	48497	1	Housing, F-15 Strainer
0110	49426	1	Housing, F-15 Strainer, Anodized Aluminum
0130	42987	1	Strainer Cover, Anodized Aluminum, F-15
0200	48404	1	Strainer Manual
0373	48419	1	Nameplate, Strainer Assembly
0428	07653	1	O-Ring, 3.62 ID Viton, 3.88 OD x .12 Dia Wall
0450	06899	1	O-Ring, 3.50 ID Viton, 3.88 OD x .19 Sqr Wall
0458	06900	1	O-Ring, 4.75 ID Viton, 5.00 OD x .12 Dia Wall
0620	06057	8	Screw, .500-13 x 1.50, Hex HD Cap
0677	00306	2	Screw, Drv #2 x .19 Type "U"
0720	04685	8	Flat Washer, .531 ID, 1.06 OD x .095 Thk

## F-15 Aluminum / PTFE - A3342 & A3342A

APPLICABLE FOR STRAINERS MANUFACTURED AFTER APRIL, 1996

Item #	Part #	Qty	Description
0110	48497	1	Housing, F-15 Strainer
0110	49426	1	Housing, F-15 Strainer, Anodized Aluminum
0130	43926	1	Cover, Strainer, Anodized Aluminum, F-15
0200	48404	1	Strainer Manual
0373	48419	1	Nameplate, Strainer Assembly
0428	06878	1	O-Ring, 3.62 ID PTFE, 3.88 OD x .12 Dia Wall
0450	07202	1	O-Ring, 3.75 ID PTFE, 4.00 OD x .12 Dia Wall
0458	06665	1	O-Ring, 4.75 ID PTFE, 5.00 OD x .12 Dia Wall
0620	06057	8	Screw, .500-13 x 1.50, Hex HD Cap
0677	00306	2	Screw, Drv #2 x .19 Type "U"
0720	04685	8	Flat Washer, .531 ID, 1.06 OD x .095 Thk



# F-15 ALUMINUM STRAINER

## F-15 Aluminum / PTFE - A3366A

APPLICABLE FOR STRAINERS MANUFACTURED AFTER APRIL, 1996

Item #	Part #	Qty	Description
0110	49426	1	Housing, F-15 Strainer, Anodized Aluminum
0130	49423	1	Thermowell Assembly, FA-15, Dry Mech. TVC Bulb Use
0200	48404	1	Strainer Manual
0373	48419	1	Nameplate, Strainer Assembly
0428	04474	1	O-Ring, 3.62 ID Buna-N, 3.88 OD x .12 Dia Wall
0450	09201	1	O-Ring, 3.75 ID Buna-N, 4.00 OD, -240, UL Approved
0458	09335	1	O-Ring, 4.75 ID Buna-N, 5.00 OD x .12 Sqr Wall
0620	07292	8	Screw, .500-13 x 1.50, Hex HD Cap, GR 5
0677	00306	2	Screw, Drv #2 x .19 Type "U"
0720	09204	8	Flat Washer, .508 ID, .870 OD x .090 Thk, ZNC

## Accessories - Strainer Cover - A2550

Applicable for strainers manufactured after November, 1991

Item #	Part #	Qty	Description
0140	48299	1	Cover, F-7 Strainer 300#, Aluminum
0681	06851	4	Screw, .375-16 x 1.50, Hex HD Cap, GR 8
0779	04498	4	Flat Washer, .406 ID, .812 OD x .062 Thk

## Accessories - Strainer Baskets, Stainless Steel

Item #	Part #	Qty	Description
0005	A3430	1	Basket, Strainer F-15, 40 Mesh SS
0005	A3431	1	Basket, Strainer F-15, 80 Mesh SS
0005	A3432	1	Basket, Strainer F-15, 100 Mesh SS
0005	A3433	1	Basket, Strainer F-15, 20 Mesh SS
0005	A3434	1	Basket, Strainer FA15, 200 Mesh SS

# F-30 ALUMINUM STRAINER

## F-30 Aluminum / Buna - A4340 & A4340A

APPLICABLE FOR STRAINERS MANUFACTURED AFTER APRIL, 1996

Item #	Part #	Qty	Description
0110	48498	1	Housing, F-30 Strainer, Aluminum, without Anodize
0110	49427	1	Housing, F-30 Strainer, Anodized Aluminum
0130	44002	1	Cover, Strainer, F-30, Aluminum for Buna
0200	48404	1	Strainer Manual
0373	48419	1	Nameplate, Strainer Assembly
0428	40704	1	Gasket, Flange; M30, Nitrile, Type 205, 1/16"
0450	06918	1	O-Ring, 4.50 ID Buna-N, 5.00 OD x .25 Sqr Wall
0458	09335	1	O-Ring, 4.75 ID Buna-N, 5.00 OD x .12 Sqr Wall
0620	04762	8	Screw, .625-11 x 1.75, Hex HD Cap
0677	00306	2	Screw, Drv #2 x .19 Type "U"
0720	04764	8	Flat Washer, .656 ID, 1.312 OD x .095 Thk

## F-30 Aluminum / Viton - A4341 & A4341A

APPLICABLE FOR STRAINERS MANUFACTURED AFTER APRIL, 1996

Item #	Part #	Qty	Description
0110	48498	1	Housing, F-30 Strainer, Aluminum, without Anodize
0110	49427	1	Housing, F-30 Strainer, Anodized Aluminum
0130	44008	1	Cover, Strainer, F-30, Aluminum for Viton-PTFE
0200	48404	1	Strainer Manual
0373	48419	1	Nameplate, Strainer Assembly
0428	40704	1	Gasket, Flange; M30, Nitrile, Type 205, 1/16"
0450	06900	2	O-Ring, 4.75 ID Viton, 5.00 OD x .12 Dia Wall
0620	04762	8	Screw, .625-11 x 1.75, Hex HD Cap
0677	00306	2	Screw, Drv #2 x .19 Type "U"
0720	04764	8	Flat Washer, .656 ID, 1.312 OD x .095 Thk

## F-30 Aluminum / PTFE - A4342 & A4342A

APPLICABLE FOR STRAINERS MANUFACTURED AFTER APRIL, 1996

Item #	Part #	Qty	Description
0110	48498	1	Housing, F-30 Strainer, Aluminum, without Anodize
0110	49427	1	Housing, F-30 Strainer, Anodized Aluminum
0130	44008	1	Cover, Strainer, F-30, Aluminum for Viton-PTFE
0200	48404	1	Strainer Manual
0373	48419	1	Nameplate, Strainer Assembly
0428	40704	1	Gasket, Flange; M30, Nitrile, Type 205, 1/16"
0450	06665	2	O-Ring, 4.75 ID PTFE, 5.00 OD x .12 Dia Wall
0620	04762	8	Screw, .625-11 x 1.75, Hex HD Cap
0677	00306	2	Screw, Drv #2 x .19 Type "U"
0720	04764	8	Flat Washer, .656 ID, 1.312 OD x .095 Thk
0720	04685	8	Flat Washer, .531 ID, 1.06 OD x .095 Thk

## F-30 ALUMINUM STRAINER

<b>F-30 Aluminum / Buna / Class 3 - A4343 &amp; A4343A</b>			
APPLICABLE FOR STRAINERS MANUFACTURED AFTER APRIL, 1996			
<b>Item #</b>	<b>Part #</b>	<b>Qty</b>	<b>Description</b>
0110	48498	1	Housing, F-30 Strainer, Aluminum, without Anodize
0110	49427	1	Housing, F-30 Strainer, Anodized Aluminum
0130	44002	1	Cover, Strainer, F-30, Aluminum for Buna
0200	48404	1	Strainer Manual
0373	48419	1	Nameplate, Strainer Assembly
0428	46072	1	Gasket, Flange; M-30-3
0450	06918	1	O-Ring, 4.50 ID Buna-N, 5.00 OD x .25 Sqr Wall
0458	09335	1	O-Ring, 4.75 ID Buna-N, 5.00 OD x .12 Sqr Wall
0620	04762	8	Screw, .625-11 x 1.75, Hex HD Cap
0677	00306	2	Screw, Drv #2 x .19 Type "U"
0720	04764	8	Flat Washer, .656 ID, 1.312 OD x .095 Thk

<b>Accessories - Strainer Cover - A2550</b>			
Applicable for strainers manufactured after November, 1991			
<b>Item #</b>	<b>Part #</b>	<b>Qty</b>	<b>Description</b>
0140	48299	1	Cover, F-7 Strainer 300#, Aluminum
0681	06851	4	Screw, .375-16 x 1.50, Hex HD Cap, GR 8
0779	04498	4	Flat Washer, .406 ID, .812 OD x .062 Thk

<b>Accessories - Strainer Baskets, Stainless Steel</b>			
<b>Item #</b>	<b>Part #</b>	<b>Qty</b>	<b>Description</b>
0005	A4430	1	Basket, Strainer F-30, 40 Mesh SS
0005	A4431	1	Basket, Strainer F-30, 80 Mesh SS
0005	A4432	1	Basket, Strainer F-30, 100 Mesh SS
0005	A4433	1	Basket, Strainer F-30, 20 Mesh SS
0005	A3434	1	Basket, Strainer FA15, 200 Mesh SS

# FS-2 STEEL CASE STRAINER

**FS-2 / FSAA-2 150# ANSI**  
**(Steel Case/Buna - A2390) (Steel Case/Viton - A23901) (Steel Case/PTFE - A23902)**  
 APPLICABLE FOR STRAINERS MANUFACTURED AFTER SEPTEMBER, 2002

Item #	Part #	Qty	Description
0110	I62901046	1	Weldment, HSG; FS-2 Strainer, 2" 150/275#
0346	43688	1	Plate, Basket Cover, FS-4 Basket Cover Lock
0372	47310	1	Plate, Specification Steel Strainers
0379	43697	1	Rod Basket Locking, FS-3 & 4 N/S Basket Rod
0458	07173	1	O-Ring, 8.75 ID Buna N, 9.00 OD x .12 Dia Wall
0458	07393	1	O-Ring, 8.75 ID Vitron, 9.00 OD x .12 Dia Wall
0458	09109	1	O-Ring, 8.75 ID PTFE, 9.00 OD x .12 Dia Wall
0550	07172	1	Nut, .500-13, Wing
0552	06707	12	Nut, .500-13, Hex
0554	00294	1	Pin, Cotter .125 x 1.00
0566	06969	1	Pipe Plug, .500-14 NPT SQ HD
0650	45239	1	Kit, Stud Nut & Gasket, 2 IN 150 # ANSI FL
0678	00306	4	Screw, Drive #2 x .19 Type "U"
0681	07305	12	Screw, .500-13 x 2.25 Hex Head Cap, GR 5
0743	06070	1	Lock Washer, .531 Spring
0779	04685	12	Flat Washer, .531 ID, 1.06 OD x .095 Thk
0875	43937	1	Decals Labels Tags Decal, Flow Strainer

**FSA-2 300# ANSI**  
**(Steel Case / Buna - A2397) (Steel Case / Viton - A23971) (Steel Case / PTFE - A23972)**  
 APPLICABLE FOR STRAINERS MANUFACTURED AFTER JUNE, 1997

Item #	Part #	Qty	Description
0110	43649	1	Weldment, 2" Housing, 2" 300# Strainer
0150	43200	1	Elbow, 2" Strainer, FS-2 Steel Strainer
0346	43688	1	Plate, Basket Cover, FS-4 Basket Cover Lock
0372	47310	1	Plate, Specification Steel Strainers
0379	43697	1	Rod Basket Locking, FS-3 & 4 N/S Basket Rod
0458	07173	1	O-Ring, 8.75 ID Buna N, 9.00 OD x .12 Dia Wall
0458	07393	1	O-Ring, 8.75 ID Vitron, 9.00 OD x .12 Dia Wall
0458	09109	1	O-Ring, 8.75 ID PTFE, 9.00 OD x .12 Dia Wall
0550	07172	1	Nut, .500-13, Wing
0551	03918	2	Nut, .312-18; Selflocking Hex, Thin (.25 Thick)
0552	06707	1	Nut, .500-13, Hex
0554	00294	1	Pin, Cotter .125 x 1.00
0566	06969	1	Pipe Plug, .500-14 NPT SQ HD
0632	09096	2	Screw, .312-18 x 2.000 Hex HD Cap, GR 5
0650	48868	1	Kit, Stud Nut & Gasket, 2 IN 300 # ANSI FL
0678	07358	4	Pop Rivet, Dome HD .125 Dia, .031-.187 GP
0681	07254	1	Screw, .500-13 x 2.00 Hex Head Cap, GR 5
0743	06070	1	Lock Washer, .531 Spring
0779	04685	1	Flat Washer, .531 ID, 1.06 OD x .095 Thk
0875	43937	1	Decals Labels Tags Decal, Flow Strainer

## FS-2 STEEL CASE STRAINER

<b>Accessories - Strainer Covers</b> <small>Applicable for strainers manufactured after February, 2002</small>			
<b>Item #</b>	<b>Part #</b>	<b>Qty</b>	<b>Description</b>
0140	43687	1	Strainer Cover (FS-2, FSAA-2, FSA-2)
0140	501328	1	Strainer Cover (FS2, FSAA2)

<b>Accessories - Strainer Baskets, Cad. Plated</b>			
<b>Item #</b>	<b>Part #</b>	<b>Qty</b>	<b>Description</b>
0005	A3440	1	Basket, Strainer FS- 2, 3, & 4, 40 Mesh Cad Pl
0005	A3441	1	Basket, Strainer FS- 2, 3, & 4, 80 Mesh Cad Pl
0005	A3442	1	Basket, Strainer FS- 2, 3, & 4, 100 Mesh Cad Pl
0005	A3443	1	Basket, Strainer FS- 2, 3, & 4, 20 Mesh Cad Pl

<b>Accessories - Strainer Baskets, Stainless Steel</b>			
<b>Item #</b>	<b>Part #</b>	<b>Qty</b>	<b>Description</b>
0005	A3445	1	Basket, Strainer FS- 2, 3, & 4, 40 Mesh SS
0005	A3447	1	Basket, Strainer FS- 2, 3, & 4, 20 Mesh SS
0005	A3448	1	Basket, Strainer FS- 2, 3, & 4, 100 Mesh SS, LPG

# FS-3 STEEL CASE STRAINER

**FS-3 / FSAA-3 150# ANSI**  
**(Steel Case / Buna - A3390) (Steel Case / Viton - A33901) (Steel Case / PTFE - A33902)**  
 APPLICABLE FOR STRAINERS MANUFACTURED AFTER SEPTEMBER, 2002

Item #	Part #	Qty	Description
0110	I62901045	1	Weldment, HSG; FS-3 Strainer, 3" 150/275#
0346	43688	1	Plate, Basket Cover, FS-4 Basket Cover Lock
0372	47310	1	Plate, Specification Steel Strainers
0379	43697	1	Rod Basket Locking, FS-3 & 4 N/S Basket Rod
0458	07173	1	O-Ring, 8.75 ID Buna N, 9.00 OD x .12 Dia Wall
0458	07393	1	O-Ring, 8.75 ID Vitron, 9.00 OD x .12 Dia Wall
0458	09109	1	O-Ring, 8.75 ID PTFE, 9.00 OD x .12 Dia Wall
0550	07172	1	Nut, .500-13, Wing
0552	06707	1	Nut, .500-13, Hex
0554	00294	1	Pin, Cotter .125 x 1.00
0566	06969	1	Pipe Plug, .500-14 NPT SQ HD
0650	45241	1	Kit, Stud Nut & Gasket, 3 IN 150 # ANSI FL
0678	00306	4	Screw, Drive #2 x .19 Type "U"
0681	07305	12	Screw, .500-13 x 2.25 Hex Head Cap, GR 5
0743	06070	1	Lock Washer, .531 Spring
0779	04685	12	Flat Washer, .531 ID, 1.06 OD x .095 Thk
0875	43937	1	Decals Labels Tags Decal, Flow Strainer

**FS-3 150# Flat Faced**  
**(Steel Case / Viton - A3392) (Steel Case / PTFE - A33921)**  
 APPLICABLE FOR STRAINERS MANUFACTURED AFTER OCTOBER, 1995

Item #	Part #	Qty	Description
0110	47484	1	Weldment, Strainer Housing Standard M-30 CL7 125# F
0150	43753	1	Elbow, 3" Strainer Elbow Strainer FS-3
0346	43688	1	Plate, Basket Cover, FS-4 Basket Cover Lock
0372	47310	1	Plate, Specification Steel Strainers
0379	43697	1	Rod, Basket Locking, FS-3 & 4 N/S Basket Rod
0458	07289	1	O-Ring, 8.75 ID Viton, 9.00 OD x .15 Dia Wall
0458	07393	1	O-Ring, 8.75 ID Viton, 9.00 OD x .12 Dia Wall
0550	07172	1	Nut, .500-13, Wing
0551	03918	2	Nut, .312-18; Selflocking Hex, Thin (.25 Thick)
0552	06707	12	Nut, .500-13, Hex
0554	00294	1	Pin, Cotter .125 x 1.00
0566	06969	1	Pipe Plug, .500-14 NPT SQ HD
0632	03319	1	Screw, .312-18 x 1.500, Hex Socket HD Cap
0650	45249	1	Kit, Stud Nut & Gasket, 3 IN 125 # Flat Face FL
0678	07358	4	Pop Rivet, Dome HD .125 Dia, .031-.187 GP
0681	07254	12	Screw, .500-13 x 2.00 Hex Head Cap, GR 5
0743	06070	1	Lock Washer, .531 Spring
0779	04685	12	Flat Washer, .531 ID, 1.06 OD x .095 Thk
0875	43937	1	Decals Labels Tags Decal, Flow Strainer

# FS-3 STEEL CASE STRAINER

**FSA-3 300# ANSI**  
**(Steel Case / Buna - A3397) (Steel Case / Viton - A33971)**  
 APPLICABLE FOR STRAINERS MANUFACTURED AFTER OCTOBER, 1995

Item #	Part #	Qty	Description
0110	43555	1	Weldment, Housing 300# Housing FSA-3
0150	43753	1	Elbow, 3" Strainer, Elbow Strainer FS-3
0346	43688	1	Plate, Basket Cover, FS-4 Basket Cover Lock
0372	47310	1	Plate, Specification Steel Strainers
0379	43697	1	Rod, Basket Locking, FS - 3 & 4 N/S Basket Rod
0458	07173	1	O-Ring, 8.75 ID Buna N, 9.00 OD x .12 Dia Wall
0458	07393	1	O-Ring, 8.75 ID Viton, 9.00 OD x .12 Dia Wall
0550	07172	1	Nut, .500-13, Wing
0551	03918	2	Nut, .312-18; Selflocking Hex, Thin (.25 Thick)
0552	06707	12	Nut, .500-13, Hex
0554	00294	1	Pin, Cotter .125 x 1.00
0566	06969	1	Pipe Plug, .500-14 NPT SQ HD
0632	03319	2	Screw, .312-18 x 1.500, Hex Socket HD Cap
0650	45242	1	Kit, Stud Nut & Gasket, 3 IN 300 # ANSI FL
0678	07358	4	Pop Rivet, Dome HD .125 Dia, .031-.187 GP
0681	07254	12	Screw, .500-13 x 2.00 Hex Head Cap, GR 5
0743	06070	1	Lock Washer, .531 Spring
0779	04685	12	Flat Washer, .531 ID, 1.06 OD x .095 Thk
0875	43937	1	Decals Labels Tags Decal, Flow Strainer

**Accessories - Strainer Covers** Applicable for strainers manufactured after February, 2002

Item #	Part #	Qty	Description
0140	43687	1	Strainer Cover (FS-3, FSAA-3, FSA-3)
0140	501328	1	Strainer Cover (FS-3 & FSAA-3)

**Accessories - Strainer Baskets, Cad. Plated**

Item #	Part #	Qty	Description
0005	A3440	1	Basket, Strainer FS- 2, 3, & 4, 40 Mesh Cad PI
0005	A3441	1	Basket, Strainer FS- 2, 3, & 4, 80 Mesh Cad PI
0005	A3442	1	Basket, Strainer FS- 2, 3, & 4, 100 Mesh Cad PI
0005	A3443	1	Basket, Strainer FS- 2, 3, & 4, 20 Mesh Cad PI

**Accessories - Strainer Baskets, Stainless Steel**

Item #	Part #	Qty	Description
0005	A3445	1	Basket, Strainer FS- 2, 3, & 4, 40 Mesh SS
0005	A3447	1	Basket, Strainer FS- 2, 3, & 4, 20 Mesh SS
0005	A3448	1	Basket, Strainer FS- 2, 3, & 4, 100 Mesh SS, LPG

# FS-4 STEEL CASE STRAINER

**FS-4 / FSAA-4 150# ANSI** APPLICABLE FOR STRAINERS MANUFACTURED AFTER SEPTEMBER, 2002  
**(Steel Case / Buna - A4390) (Steel Case / Viton - A43901) (Steel Case / PTFE - A43902)**

Item #	Part #	Qty	Description
0110	I63001012	1	Weldment, HSG; FS4 Strainer, 4" 150/275#
0346	43688	1	Plate, Basket Cover, FS4 Basket Cover Lock
0372	47310	1	Plate, Specification Steel Strainers
0379	43697	1	Rod Basket Locking, FS-3 & 4 N/S Basket Rod
0458	07173	1	O-Ring, 8.75 ID Buna N, 9.00 OD x .12 Dia Wall
0458	07393	1	O-Ring, 8.75 ID Vitron, 9.00 OD x .12 Dia Wall
0458	09109	1	O-Ring, 8.75 ID PTFE, 9.00 OD x .12 Dia Wall
0550	07172	1	Nut, .500-13, Wing
0552	06707	1	Nut, .500-13, Hex
0554	00294	1	Pin, Cotter .125 x 1.00
0566	06969	1	Pipe Plug, .500-14 NPT SQ HD
0650	45248	1	Kit, Stud Nut & Gasket, 4 IN 150 # ANSI FL
0678	00306	4	Screw, Drive #2 x .19 Type "U"
0681	07305	12	Screw, .500-13 x 2.25 Hex Head Cap, GR 5
0743	06070	1	Lock Washer, .531 Spring
0779	04685	12	Flat Washer, .531 ID, 1.06 OD x .095 Thk
0875	43937	1	Decals Labels Tags Decal, Flow Strainer

**FS-4 / FSAA-4 150# ANSI** APPLICABLE FOR STRAINERS MANUFACTURED AFTER OCTOBER, 1995  
**Steel Case / Buna Right Angle - A4393**

Item #	Part #	Qty	Description
0110	43928	1	Housing Assembly, Strainer - FS4-FSAA4
0150	46092	1	Elbow, 4" Strainer Elbow Strainer FS4 4 IN
0346	43688	1	Plate, Basket Cover, FS4 Basket Cover Lock
0372	47310	1	Plate, Specification Steel Strainers
0379	43697	1	Rod, Basket Locking, FS-3 & 4 N/S Basket Rod
0458	07173	1	O-Ring, 8.75 ID Buna-N, 9.00 OD x .12 Dia Wall
0550	07172	1	Nut, .500-13, Wing
0551	03918	2	Nut, .312-18; Selflocking Hex, Thin (.25 Thick)
0552	06707	12	Nut, .500-13, Hex
0554	00294	1	Pin, Cotter .125 x 1.00
0566	06969	1	Pipe Plug, .500-14 NPT SQ HD
0632	01127	1	Screw, .312-18 x 1.000, Hex Socket HD Cap
0650	45248	1	Kit, Stud Nut & Gasket, 4 IN 125 # ANSI FL
0678	07358	4	Pop Rivet, Dome HD .125 Dia, .031-.187 GP
0681	07254	12	Screw, .500-13 x 2.00 Hex Head Cap, GR 5
0743	06070	1	Lock Washer, .531 Spring
0779	04685	12	Flat Washer, .531 ID, 1.06 OD x .095 Thk
0875	43937	1	Decals Labels Tags Decal, Flow Strainer



# FS-4 STEEL CASE STRAINER

<b>FSA-4 300# ANSI</b> APPLICABLE FOR STRAINERS MANUFACTURED AFTER OCTOBER, 1995 <b>(Steel Case / Buna - A4397) (Steel Case / Viton - A43971)</b>			
Item #	Part #	Qty	Description
0110	43685	1	Weldment, 4" Housing FSA4, 300#
0150	46092	1	Elbow, 4" Strainer, Elbow Strainer FS4 4 IN
0346	43688	1	Plate, Basket Cover, FS4 Basket Cover Lock
0372	47310	1	Plate, Specification Steel Strainers
0379	43697	1	Rod, Basket Locking, FS - 3 & 4 N/S Basket Rod
0458	07173	1	O-Ring, 8.75 ID Buna N, 9.00 OD x .12 Dia Wall
0458	07393	1	O-Ring, 8.75 ID Viton, 9.00 OD x .12 Dia Wall
0550	07172	1	Nut, .500-13, Wing
0551	03918	2	Nut, .312-18; Selflocking Hex, Thin (.25 Thick)
0552	06707	12	Nut, .500-13, Hex
0554	00294	1	Pin, Cotter .125 x 1.00
0566	06969	1	Pipe Plug, .500-14 NPT SQ HD
0632	01127	2	Screw, .312-18 x 1.000, Hex Socket HD Cap
0650	45243	1	Kit, Stud Nut & Gasket, 4 IN 300 # ANSI FL
0678	07358	4	Pop Rivet, Dome HD .125 Dia, .031-.187 GP
0681	07254	12	Screw, .500-13 x 2.00 Hex Head Cap, GR 5
0743	06070	1	Lock Washer, .531 Spring
0779	04685	12	Flat Washer, .531 ID, 1.06 OD x .095 Thk
0875	43937	1	Decals Labels Tags Decal, Flow Strainer

<b>FSA-4 300# ANSI</b> APPLICABLE FOR STRAINERS MANUFACTURED AFTER OCTOBER, 1995 <b>Steel Case / Buna Right Angle - A4399</b>			
Item #	Part #	Qty	Description
0110	43929	1	Housing Assembly, Strainer - Weldment FSA4
0150	46092	1	Elbow, 4" Strainer Elbow Strainer FS4 4 IN
0346	43688	1	Plate, Basket Cover, FS4 Basket Cover Lock
0372	47310	1	Plate, Specification Steel Strainers
0379	43697	1	Rod, Basket Locking, FS-3 & 4 N/S Basket Rod
0458	07173	1	O-Ring, 8.75 ID Buna-N, 9.00 OD x .12 Dia Wall
0550	07172	1	Nut, .500-13, Wing
0551	03918	2	Nut, .312-18; Selflocking Hex, Thin (.25 Thick)
0552	06707	12	Nut, .500-13, Hex
0554	00294	1	Pin, Cotter .125 x 1.00
0566	06969	1	Pipe Plug, .500-14 NPT SQ HD
0632	01127	1	Screw, .312-18 x 1.000, Hex Socket HD Cap
0650	45243	1	Kit, Stud Nut & Gasket, 4 IN 300 # ANSI FL
0678	07358	4	Pop Rivet, Dome HD .125 Dia, .031-.187 GP
0681	07254	12	Screw, .500-13 x 2.00 Hex Head Cap, GR 5
0743	06070	1	Lock Washer, .531 Spring
0875	43937	1	Decals Labels Tags Decal, Flow Strainer

# FS-4 STEEL CASE STRAINER

## Accessories - Strainer Covers

Applicable for strainers manufactured after February, 2002

Item #	Part #	Qty	Description
0140	43687	1	Strainer Cover (FS4, FSAA4, FSA4)
0140	501328	1	Strainer Cover (FS4 & FSAA4)

## Accessories - Strainer Baskets, Cad. Plated

Item #	Part #	Qty	Description
0005	A3440	1	Basket, Strainer FS 2, 3, & 4, 40 Mesh Cad PI
0005	A3441	1	Basket, Strainer FS 2, 3, & 4, 80 Mesh Cad PI
0005	A3442	1	Basket, Strainer FS 2, 3, & 4, 100 Mesh Cad PI
0005	A3443	1	Basket, Strainer FS 2, 3, & 4, 20 Mesh Cad PI

## Accessories - Strainer Baskets, Stainless Steel

Item #	Part #	Qty	Description
0005	A3445	1	Basket, Strainer FS 2, 3, & 4, 40 Mesh SS
0005	A3447	1	Basket, Strainer FS 2, 3, & 4, 20 Mesh SS
0005	A3448	1	Basket, Strainer FS 2, 3 & 4, 100 Mesh SS, LPG

## FS-3 STEEL CASE STRAINER (BOTTOM INLET)

<b>FS-3 / FSAA-3 150# ANSI</b> APPLICABLE FOR STRAINERS MANUFACTURED AFTER OCTOBER, 1995 <b>Steel Case / Buna Bottom Inlet - A3391</b>			
Item #	Part #	Qty	Description
0110	43556	1	Housing, 3" Weldment Strainer, Bottom Inlet
0346	43688	1	Plate, Basket Cover, FS-4 Basket Cover Lock
0372	47310	1	Plate, Specification Steel Strainers
0379	43707	1	Rod, Locking Plate, Rod, Basket Locking
0458	07173	1	O-Ring, 8.75 ID Buna N, 9.00 OD x .12 Dia Wall
0550	07172	1	Nut, .500-13, Wing
0552	06707	12	Nut, .500-13, Hex
0554	00294	1	Pin, Cotter .125 x 1.00
0557	06075	1	Nut, .375-16 Selflocking, Hex, Light
0632	07250	1	Screw, .375-16 x 5.50, Hex HD Bolt, Grade 5
0650	45241	1	Kit, Stud Nut & Gasket, 3 IN 150 # ANSI FL
0678	07358	4	Pop Rivet, Dome HD .125 Dia, .031-.187 GP
0681	07254	12	Screw, .500-13 x 2.00 Hex Head Cap, GR 5
0743	06070	1	Lock Washer, .531 Spring
0779	04685	12	Flat Washer, .531 ID, 1.06 OD x .095 Thk
0875	43937	1	Decals Labels Tags Decal, Flow Strainer

<b>FSA-3 300# ANSI</b> APPLICABLE FOR STRAINERS MANUFACTURED AFTER OCTOBER, 1995 <b>Steel Case / Buna Bottom Inlet - A3398</b>			
Item #	Part #	Qty	Description
0110	43557	1	Housing, 3" Weldment Strainer, Bottom Inlet
0346	43688	1	Plate, Basket Cover, FS-4 Basket Cover Lock
0372	47310	1	Plate, Specification Steel Strainers
0379	43707	1	Rod, Locking Plate, Rod, Basket Locking
0458	07173	1	O-Ring, 8.75 ID Buna N, 9.00 OD x .12 Dia Wall
0550	07172	1	Nut, .500-13, Wing
0552	06707	12	Nut, .500-13, Hex
0554	00294	1	Pin, Cotter .125 x 1.00
0557	06075	1	Nut, .375-16 Selflocking, Hex, Light
0632	07250	1	Screw, .375-16 x 5.50, Hex HD Bolt, Grade 5
0650	45242	1	Kit, Stud Nut & Gasket, 3 IN 300 # ANSI FL
0678	07358	4	Pop Rivet, Dome HD .125 Dia, .031-.187 GP
0681	07254	12	Screw, .500-13 x 2.00 Hex Head Cap, GR 5
0743	06070	1	Lock Washer, .531 Spring
0875	43937	1	Decals Labels Tags Decal, Flow Strainer

## FS-3 STEEL CASE STRAINER (BOTTOM INLET)

### Accessories - Strainer Covers

Applicable for strainers manufactured after February, 2002

Item #	Part #	Qty	Description
0140	43687	1	Strainer Cover (FS-3, FSAA-3, FSA-3)
0140	501328	1	Strainer Cover (FS-3 & FSAA-3)

### Accessories - Strainer Baskets, Cad. Plated

Item #	Part #	Qty	Description
0005	A3440	1	Basket, Strainer FS- 2, 3, & 4, 40 Mesh Cad Pl
0005	A3441	1	Basket, Strainer FS- 2, 3, & 4, 80 Mesh Cad Pl
0005	A3442	1	Basket, Strainer FS- 2, 3, & 4, 100 Mesh Cad Pl
0005	A3443	1	Basket, Strainer FS- 2, 3, & 4, 20 Mesh Cad Pl

### Accessories - Strainer Baskets, Stainless Steel

Item #	Part #	Qty	Description
0005	A3445	1	Basket, Strainer FS- 2, 3, & 4, 40 Mesh SS
0005	A3447	1	Basket, Strainer FS- 2, 3, & 4, 20 Mesh SS
0005	A3448	1	Basket, Strainer FS- 2, 3, & 4, 100 Mesh SS, LPG

## FS-4 STEEL CASE STRAINER (BOTTOM INLET)

<b>FS-4 / FSAA-4 150# ANSI</b>		APPLICABLE FOR STRAINERS MANUFACTURED AFTER OCTOBER, 1995	
<b>Steel Case / Buna Bottom Inlet - A4391</b>			
<b>Item #</b>	<b>Part #</b>	<b>Qty</b>	<b>Description</b>
0110	43708	1	Weldment, 4" Housing, Bottom Inlet 150-150
0346	43688	1	Plate, Basket Cover, FS4 Basket Cover Lock
0372	47310	1	Plate, Specification Steel Strainers
0379	43707	1	Rod, Locking Plate, Rod, Basket Locking
0458	07173	1	O-Ring, 8.75 ID Buna N, 9.00 OD x .12 Dia Wall
0550	07172	1	Nut, .500-13, Wing
0552	06707	12	Nut, .500-13, Hex
0554	00294	1	Pin, Cotter .125 x 1.00
0557	06075	1	Nut, .375-16 Selflocking, Hex, Light
0632	07250	1	Screw, .375-16 x 5.50, Hex HD Bolt, Grade 5
0650	45248	1	Kit, Stud Nut & Gasket, 4 IN 150 # ANSI FL
0678	07358	4	Pop Rivet, Dome HD .125 Dia, .031-.187 GP
0681	07254	12	Screw, .500-13 x 2.00 Hex Head Cap, GR 5
0743	06070	1	Lock Washer, .531 Spring
0779	04685	12	Flat Washer, .531 ID, 1.06 OD x .095 Thk
0875	43937	1	Decals Labels Tags Decal, Flow Strainer

<b>FSA-4 300# ANSI</b>		APPLICABLE FOR STRAINERS MANUFACTURED AFTER OCTOBER, 1995	
<b>Steel Case / Buna Bottom Inlet - A4398</b>			
<b>Item #</b>	<b>Part #</b>	<b>Qty</b>	<b>Description</b>
0110	43709	1	Weldment, 4" Housing, Bottom Inlet 300#
0346	43688	1	Plate, Basket Cover, FS4 Basket Cover Lock
0372	47310	1	Plate, Specification Steel Strainers
0379	43707	1	Rod, Locking Plate, Rod, Basket Locking
0458	07173	1	O-Ring, 8.75 ID Buna N, 9.00 OD x .12 Dia Wall
0550	07172	1	Nut, .500-13, Wing
0552	06707	12	Nut, .500-13, Hex
0554	00294	1	Pin, Cotter .125 x 1.00
0557	06075	1	Nut, .375-16 Selflocking, Hex, Light
0632	07250	1	Screw, .375-16 x 5.50, Hex HD Bolt, Grade 5
0650	45243	1	Kit, Stud Nut & Gasket, 4 IN 300 # ANSI FL
0678	07358	4	Pop Rivet, Dome HD .125 Dia, .031-.187 GP
0681	07254	12	Screw, .500-13 x 2.00 Hex Head Cap, GR 5
0743	06070	1	Lock Washer, .531 Spring
0875	43937	1	Decals Labels Tags Decal, Flow Strainer

## FS-4 STEEL CASE STRAINER (BOTTOM INLET)

### Accessories - Strainer Covers

Applicable for strainers manufactured after February, 2002

Item #	Part #	Qty	Description
0140	43687	1	Strainer Cover (FS4, FSAA4, FSA4)
0140	501328	1	Strainer Cover (FS4 & FSAA4)

### Accessories - Strainer Baskets, Cad. Plated

Item #	Part #	Qty	Description
0005	A3440	1	Basket, Strainer FS- 2, 3, & 4, 40 Mesh Cad Pl
0005	A3441	1	Basket, Strainer FS- 2, 3, & 4, 80 Mesh Cad Pl
0005	A3442	1	Basket, Strainer FS- 2, 3, & 4, 100 Mesh Cad Pl
0005	A3443	1	Basket, Strainer FS- 2, 3, & 4, 20 Mesh Cad Pl

### Accessories - Strainer Baskets, Stainless Steel

Item #	Part #	Qty	Description
0005	A3445	1	Basket, Strainer FS- 2, 3, & 4, 40 Mesh SS
0005	A3447	1	Basket, Strainer FS- 2, 3, & 4, 20 Mesh SS
0005	A3448	1	Basket, Strainer FS- 2, 3, & 4, 100 Mesh SS, LPG

## FS-6 STEEL CASE STRAINER

<b>FS-6 / FSAA-6 150# ANSI</b> APPLICABLE FOR STRAINERS MANUFACTURED AFTER SEPTEMBER, 2002 <b>(Steel Case / Buna - A6390) (Steel Case / Viton - A63901)</b>			
Item #	Part #	Qty	Description
0110	I62501001	1	Weldment, HSG; FS-6 Strainer, 6" 150/275#
0346	43898	1	Plate, Basket Cover, FS-6
0372	47310	1	Plate, Specification Steel Strainers
0379	43907	1	Rod Basket Locking, FS-6 N/S
0458	07194	1	O-Ring, 13.00 ID Buna N, 13.38 OD x .19 Dia Wall
0458	09100	1	O-Ring, 13.00 ID Viton, 13.38 OD x .19 Dia Wall
0550	07195	1	Nut, .625-11, Wing
0552	07212	16	Nut, .625-11, Hex Nut
0554	00294	1	Pin, Cotter .125 x 1.00
0565	06969	1	Pipe Plug, .500-14 NPT SQ HD
0650	45244	1	Kit, Stud Nut & Gasket, 6 IN 150 # ANSI FL
0678	00306	4	Screw, Drive #2 x .19 Type "U"
0681	07293	16	Screw, .625-11 x 2.75 Hex Head Cap
0743	06072	1	Lock Washer, .651 Spring
0779	04764	16	Flat Washer, .656 ID, 1.312 OD x .095 Thk
0875	43937	1	Decals Labels Tags Decal, Flow Strainer

<b>FS-6 / FSAA-6 150# ANSI</b> APPLICABLE FOR STRAINERS MANUFACTURED AFTER NOVEMBER, 1997 <b>Steel Case / Buna Bottom Inlet - A6391</b>			
Item #	Part #	Qty	Description
0110	43939	1	Weldment, 6" Housing, Bottom Inlet FS-6
0346	43898	1	Plate, Basket Cover, FS-6
0372	47310	1	Plate, Specification Steel Strainers
0379	43942	1	Rod, Basket Locking, FS-6 Basket
0458	07194	1	O-Ring, 13.00 ID Buna N, 13.38 OD x .19 Dia Wall
0550	07195	1	Nut, .625-11, Wing
0552	07212	16	Nut, .625-11, Hex Nut
0554	00294	1	Pin, Cotter .125 x 1.00
0557	07272	1	Nut, .500-13 Selflocking, Hex
0632	07271	1	Screw, .500-13 x 8.00, Hex HD
0650	45244	1	Kit, Stud Nut & Gasket, 6 IN 150 # ANSI FL
0678	07358	4	Pop Rivet, Dome HD .125 Dia, .031-.187 GP
0681	07293	16	Screw, .625-11 x 2.75 Hex Head Cap
0743	06072	1	Lock Washer, .651 Spring
0779	04764	16	Flat Washer, .656 ID, 1.312 OD x .095 Thk
0875	43937	1	Decals Labels Tags Decal, Flow Strainer

# FS-6 STEEL CASE STRAINER

**FSA-6 300# ANSI** APPLICABLE FOR STRAINERS MANUFACTURED AFTER OCTOBER, 1995  
**(Steel Case / Buna - A6397) (Steel Case / Viton - A63971)**

Item #	Part #	Qty	Description
0110	43908	1	Housing, Weldment FSA-6, 300#
0150	43902	1	Elbow, 6" Strainer, FS-6
0346	43898	1	Plate, Basket Cover, FS-6
0372	47310	1	Plate, Specification Steel Strainers
0379	43907	1	Rod Basket Locking, FS-6 N/S
0458	07194	1	O-Ring, 13.00 ID Buna N, 13.38 OD x .19 Dia Wall
0458	09100	1	O-Ring, 13.00 ID Vitron, 13.38 OD x .19 Dia Wall
0550	07195	1	Nut, .625-11, Wing
0551	03918	2	Nut, .312-18; Selflocking Hex, Thin (.25 Thick)
0552	07212	16	Nut, .625-11, Hex
0554	00294	1	Pin, Cotter .125 x 1.00
0565	06969	1	Pipe Plug, .500-14 NPT SQ HD
0632	03319	2	Screw, .312-18 x 2.000 Hex HD Cap
0650	48871	1	Kit, Stud Nut & Gasket, 6 IN 300 # ANSI FL Class 10
0650	45245	1	Kit, Stud Nut & Gasket, 6 IN 300 # ANSI FL
0678	07358	4	Pop Rivet, Dome HD .125 Dia, .031-.187 GP
0681	07293	16	Screw, .625-11 x 2.75 Hex Head Cap
0743	06072	1	Lock Washer, .651 Spring
0875	43937	1	Decals Labels Tags Decal, Flow Strainer300# ANSI FSA-6

**FSA-6 300# ANSI** APPLICABLE FOR STRAINERS MANUFACTURED AFTER OCTOBER, 1995  
**Steel Case / Buna Bottom Inlet - A6398**

Item #	Part #	Qty	Description
0110	43941	1	Weldment, 6" Housing, Bottom Inlet FSA-6
0346	43898	1	Plate, Basket Cover, FS-6
0372	47310	1	Plate, Specification Steel Strainers
0379	43942	1	Rod, Basket Locking, FS-6 Basket
0458	07194	1	O-Ring, 13.00 ID Buna N, 13.38 OD x .19 Dia Wall
0550	07195	1	Nut, .625-11, Wing
0552	07212	16	Nut, .625-11, Hex Nut
0554	00294	1	Pin, Cotter .125 x 1.00
0557	07272	1	Nut, .500-13 Selflocking, Hex
0632	07271	1	Screw, .500-13 x 8.00, Hex HD
0650	45245	1	Kit, Stud Nut & Gasket, 6 IN 300 # ANSI FL
0678	07358	4	Pop Rivet, Dome HD .125 Dia, .031-.187 GP
0681	07293	16	Screw, .625-11 x 2.75 Hex Head Cap
0743	06072	1	Lock Washer, .651 Spring
0875	43937	1	Decals Labels Tags Decal, Flow Strainer



# FS-6 STEEL CASE STRAINER

<b>Accessories - Strainer Covers</b> <small>Applicable for strainers manufactured after December, 2002</small>			
<b>Item #</b>	<b>Part #</b>	<b>Qty</b>	<b>Description</b>
0140	43897	1	Strainer Cover (FS-6, FSAA-6, FSA-6)
0140	501330	1	Strainer Cover (FS-6 & FSAA-6)

<b>Accessories - Strainer Baskets, Cad. Plated</b>			
<b>Item #</b>	<b>Part #</b>	<b>Qty</b>	<b>Description</b>
0005	A6440	1	Basket, Strainer FS-6, 40 Mesh Cad Pl
0005	A6441	1	Basket, Strainer FS-6, 80 Mesh Cad Pl
0005	A6442	1	Basket, Strainer FS-6, 100 Mesh Cad Pl
0005	A6443	1	Basket, Strainer FS-6, 20 Mesh

# FA-7 ALUMINUM STRAINER

**FA-7** APPLICABLE FOR STRAINERS MANUFACTURED AFTER APRIL, 2001  
**Aluminum / Buna / LPG - A2343A**

Item #	Part #	Qty	Description
0110	49425	1	Housing, F-7 Strainer, Anodized Aluminum
0130	45420	1	Thermowell Assembly, Aluminum, MA5/MA7, Strainer End Mtg.
0200	48404	1	Strainer Manual
0373	48419	1	Nameplate, Strainer Assembly
0428	06854	1	O-Ring, 2.88 ID Buna-N UL, 3.12 OD x .12 Dia Wall
0450	09338	1	O-Ring, 2.50 ID Buna-N, 3.00 OD x .25 Sqr Wall
0458	09335	1	O-Ring, 4.75 ID Buna-N, 5.00 OD x .12 Sqr Wall
0620	04444	4	Screw, .375-16 x 1.25, Hex HD Cap, GR 8
0622	06851	4	Screw, .375-16 x 1.50, Hex HD Cap, GR 8
0677	00306	2	Screw, Drv #2 x .19 Type "U"
0720	04498	8	Flat Washer, .406 ID, .812 OD x .062 Thk

**Accessories - Strainer Covers - A2551A**

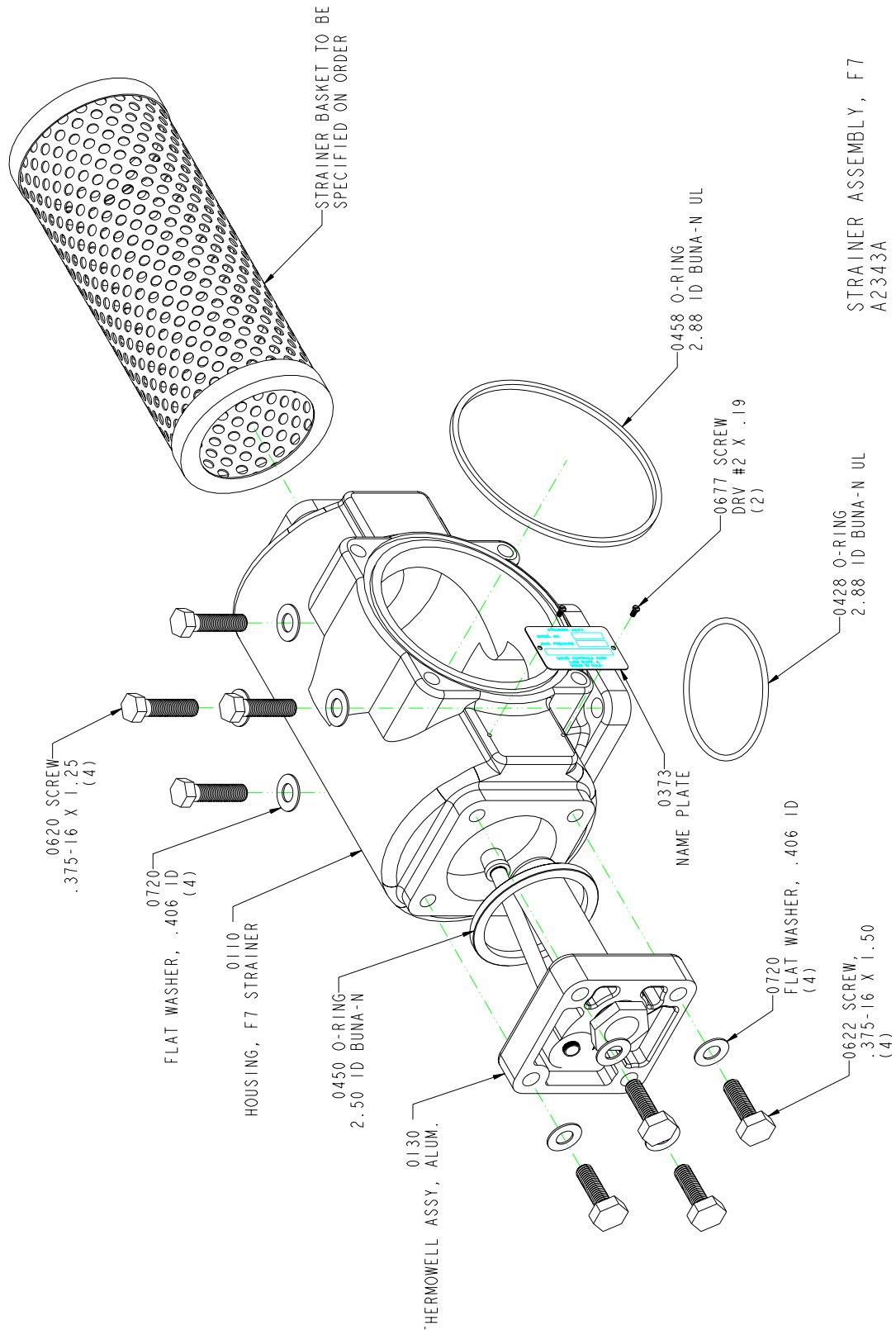
Applicable for strainers manufactured after November, 1991

Item #	Part #	Qty	Description
0140	48861	1	Cover, F-7 Strainer 300#, Aluminum
0681	06851	4	Screw, .375-16 x 1.50, Hex HD Cap, GR 8
0779	04498	4	Flat Washer, .406 ID, .812 OD x .062 Thk
0387	07545	1	Pressure Relief Valve
0321	43518	1	Vapor Orifice Connector

**Accessories - Strainer Baskets, Stainless Steel**

Item #	Part #	Qty	Description
0005	A2431	1	Basket, Strainer F-7, 80 Mesh SS
0005	A2432	1	Basket, Strainer F-7, 100 Mesh SS
0005	A2439	1	Basket, Strainer FA7, 200 Mesh SS - Standard

# FA-7 ALUMINUM STRAINER



STRAINER ASSEMBLY, F7  
A2343A

# **LIQUID CONTROLS GROUP**

IDEAL SOLUTIONS    INTEGRATED SYSTEMS

**LIQUID CONTROLS EUROPE • LIQUID CONTROLS SPONSLER**

**LIQUID CONTROLS • LIQUID CONTROLS INDIA**

**FAURE HERMAN • TOPTECH SYSTEMS**

**CORKEN • SAMPI**



## **LIQUID CONTROLS**

105 Albrecht Drive  
Lake Bluff, IL 60044  
(847) 295-1050

## **LIQUID CONTROLS EUROPE/SAMPI**

Via Amerigo Vespucci 1  
55011 Altopascio (Lucca), Italy  
+39 0583 24751

## **LIQUID CONTROLS INDIA**

808 VCCI Complex  
GIDC Makarpura  
Vadodara-390 101  
Gujarat, India  
+91 265 2631855

## **LIQUID CONTROLS SPONSLER**

105 Albrecht Drive  
Lake Bluff, IL 60044  
(847) 295-1050

## **TOPTECH SYSTEMS**

1124 Florida Central Parkway  
Longwood, FL 32750  
(407) 332-1774

Nateus Business Park  
Nieuwe Weg 1-Haven 1053  
B-2070 Zwijndrecht (Antwerp), Belgium  
+32 (0)3 250 60 60

## **FAURE HERMAN**

Route de Bonnetable  
B.P. 20154  
72406 La Ferté-Bernard Cedex, France  
+33 (0)2 43 60 28 60

6961 Brookhollow West Drive  
Houston, TX 77040  
(713) 623-0808

## **CORKEN**

3805 Northwest 36th St.  
Oklahoma City, OK 73112  
(405) 946-5576

105 Albrecht Drive  
Lake Bluff, IL 60044-2242

© 2004 Liquid Controls  
(9/11)

